

IT'S RIGHT AROUND THE CORNER...

A Revolution in Plow Design from QuadBoss

**The NEW QuadBoss Plow System
Available this Fall!**

TR DEALER.COM

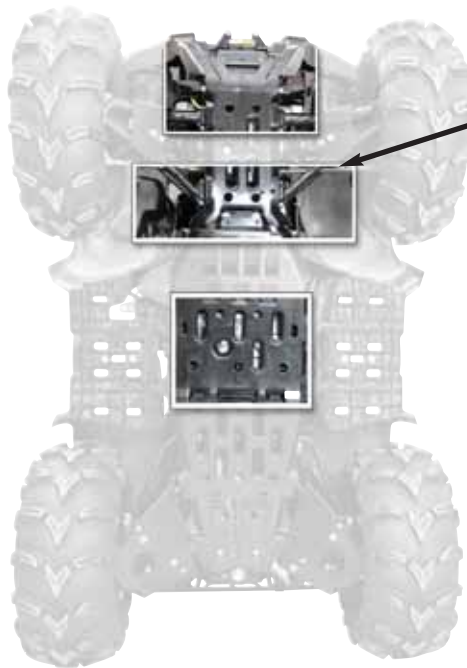
Stay tuned to TRDealer.com and PowersportRider.com
for details on the **NEW QuadBoss Plow System!**

QB
QUADBOSS **Make It Yours**

CYCLE COUNTRY™ BearForce™ FORWARD MOUNT



PLOW



FORWARD FRAME MOUNT LOCATION
(Fits Most Machines)



CYCLE COUNTRY™ **NEW** BearForce™ FORWARD FRAME MOUNT

- Snow Plow Kit in-a-box: Blade/Push Tube/Mount - one box
- Mounts to frame of ATV
- Fits 90% of ATVs on the market
- Reinforced 5-position blade adjustment plate
- Uses any standard Cycle Country™ blade
- Includes Forward Mount, 36" Push Tube, 60" Poly XT Blade

56-7030 \$599.99

ARCTIC CAT	Year
366 4x4	08-11
400 4x4	05-11
500 4x4	05-08
550 4x4	09-11
650 4x4	05-11
700 4x4	06-10
1000 4x4	08-11

CAN-AM	Year
400 Outlander	05-11
500 Renegade	08-11
500 Outlander	07-11
650 Outlander	06-11
800 Outlander	06-11
800 Renegade	07-11

HONDA	Year
TRX 420 Rancher	07-11
TRX 500 Foreman	05-11
TRX 500 Rubicon	05-11
TRX 650 Rincon	03-05
TRX 680 Rincon	08-11

KAWASAKI	Year
360 Prairie	02-11
400 Prairie	98-02
650 Brute Force 4x4	05-11
650 Brute Force 4x4i	06-09
750 Brute Force 4x4i	2011
750 Brute Force 4x4i	2006
650 Brute Force 4x4	2011

KYMCO	Year
MXU375	09-10
MXU500	07-10
MXU500i (IRS)	2011

POLARIS	Year
300 Hawkeye / Sportsman	06-08
325 Magnum	01 & Older
400 Sportsman H.O.	08-10
400 Sportsman H.O.	2011
500 Sportsman H.O. & EFI	03-10
500 Sportsman X2	06-09
550 Sportsman (All)	09-11
800 Sportsman	05-10
800 Sportsman X2	07-09
850 Sportsman (All)	09-11

SUZUKI	Year
400 King Quad	08-11
450 King Quad	08-10
500 King Quad	09-11
700 King Quad	05-07
750 King Quad	08-11

TGB	Year
425 TGB Outback	2088

YAMAHA	Year
350 Grizzly	07-11
400 Big Bear	00-11
450 Grizzly	07-11
450 Wolverine	06-07
550 Grizzly	09-11
660 Grizzly	02-08
700 Grizzly	07-11

- SPORT BODY
- BILLET ALUMINUM
- UTILITY BODY
- SEATS & GRAPHICS
- CONTROL
- FUEL & AIR
- ELECTRICAL
- TIRES
- TIRE/WHEEL KITS
- WHEELS
- BRAKE
- BELTS, CHAINS & SPROCKETS
- DRIVE
- SUSPENSION
- BEARINGS
- EXHAUST
- HARD & SOFT LUGGAGE
- HUNTING
- AG & FARMING
- PLOW**
- WINCH
- UTV
- ENGINE
- GENERAL ACCESSORIES
- RAMPS & TIEDOWNS
- CHEMICAL
- TOOLS & SUPPLIES
- DISPLAY & PROMO
- CROSS REFERENCE

SEE CATALOG UPDATES AT **TR DEALER.COM**



PLOW

- SPORT BODY
- BILLET ALUMINUM
- UTILITY BODY
- SEATS & GRAPHICS
- CONTROL
- FUEL & AIR
- ELECTRICAL
- TIRES
- TIRE/WHEEL KITS
- WHEELS
- BRAKE
- BELTS, CHAINS & SPROCKETS
- DRIVE
- SUSPENSION
- BEARINGS
- EXHAUST
- HARD & SOFT LUGGAGE
- HUNTING
- AG & FARMING
- PLOW**
- WINCH
- UTV
- ENGINE
- GENERAL ACCESSORIES
- RAMPS & TIEDOWNS
- CHEMICAL
- TOOLS & SUPPLIES
- DISPLAY & PROMO
- CROSS REFERENCE

CYCLE COUNTRY™ PLOW BLADES

- All blades have 3" double sided wear bars
- Steel blades are 12 gauge steel
- Poly blades have steel supports
- TEFLON™ paint - non stick
- Manufacturer's limited lifetime warranty
- Blade options are used on following pages for applications



CYCLE COUNTRY™ BearForce™ BLADES



Blade Option	A	B	C	D
Retail	\$163.99	\$237.99	\$261.99	\$333.99
P/N	56-5508	56-5492	56-5509	56-6292
Description	48" BearForce	54" BearForce	60" BearForce	72" BearForce
Blade Height	15-1/2"	15-1/2"	15-1/2"	15-1/2"
Blade Weight	47 lbs.	54 lbs.	62 lbs.	82 lbs.
Angled Width	44"	50"	55"	66"



CYCLE COUNTRY™ BearForce™ Pro-Series BLADES



- Comparable plowing to that of large truck plows, at greatly reduced cost
- Taller/deeper profile: 21" tall and 6" deep eliminates snow build-up
- Boxed in blade construction for commercial strength
- Blade has top and side reinforcement
- Built-in top accessory bar for plow lights, flaps and markers
- Manufacturer's limited lifetime warranty

Blade Option	E	F
Retail	\$369.99	\$439.99
P/N	56-7002	56-7006
Description	60" BearForce Pro	72" BearForce Pro
Blade Height	21"	21"
Blade Weight	83 lbs.	98 lbs.
Angled Width	55"	66"



CYCLE COUNTRY™ STATE PLOW™ BLADES



- Includes blade flap

Blade Option	G	H
Retail	\$344.99	\$357.99
P/N	56-5899	56-6291
Description	52" State	60" State
Blade Height	16"/24"	16"/24"
Blade Weight	72 lbs.	86 lbs.
Angled Width	48"	55"



CYCLE COUNTRY™ POLY XT BLADES



Blade Option	I	J	K	L
Retail	\$214.99	\$329.99	\$359.99	\$399.99
P/N	56-6069	56-6978	56-6979	56-6980
Description	52" X-Force Poly	60" BearForce Poly XT	66" BearForce Poly XT	72" BearForce Poly XT
Blade Height	15-7/8"	21"	21"	21"
Blade Weight	40 lbs.	59 lbs.	70 lbs.	77 lbs.
Angled Width	48"	55"	61"	66"

CYCLE COUNTRY™ UTV "V" FORCE BLADE

- Blade has top and side reinforcement
- Blade has 2" wear bar
- UTV only

Blade Option	M
Retail	\$834.99
P/N	56-6074
Description	72" Snowforce V-Blade
Blade Height	15-1/2"
Blade Weight	115 lbs.
Angled Width	68" - V

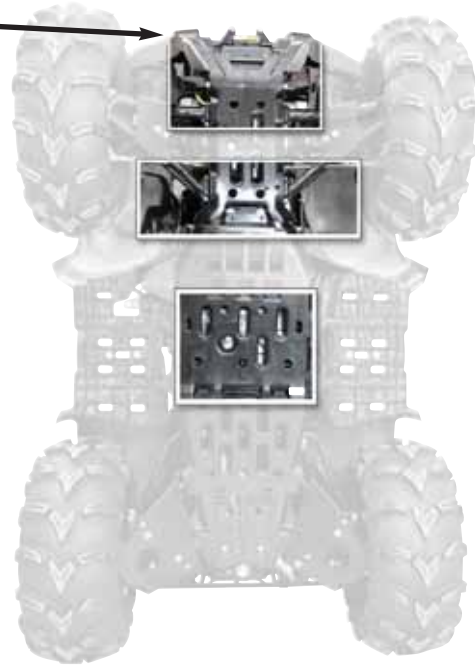


CYCLE COUNTRY™ FRONT FRAME MOUNT

PLOW



FRONT FRAME MOUNT LOCATION (Front Mount)



CYCLE COUNTRY™ FRONT FRAME MOUNT

- Designed for fast attachment and removal using self-aligning connections and stainless push pin fasteners
- Maintains ATV's original ground clearance and approach angle
- 32" lift height (ground-to-winch bar) using winch lift
- Built-in stops prevent over-lifting to protect ATV
- Reinforced 5-position blade adjustment plate
- Double-strength hinge
- Reversible pistol grip manual angle adjuster to clear winch cable
- Lift options: Quick Lift, Electric Lift or Winch (56-7039, 56-7040)

						Blade Options							Blade Lift Options	
ARCTIC CAT	Year	Front Frame Push Tube \$249.99	Front Frame Mount Kit \$129.99	Compatible CC Winch Mount \$60.69	A	B	C	G	H	I	J	K	Front Rack Quick Lift ³ \$164.99	PowerMax Electric Lift ⁴ \$229.99
400/500/ 650/700/1000	05-11	56-7014	56-6995			✓	✓	✓	✓	✓	✓		56-6963	56-6966
CAN-AM														
400/500/ 650/800 Outlander	05-11	56-7014	56-6996¹			✓	✓	✓	✓	✓	✓		56-6963	56-6966
HONDA														
420 Rancher 4x4	07-11	56-7014	56-6982¹		✓	✓	✓	✓	✓	✓	✓		56-6963	56-6966
500 Foreman	05-11	56-7014	56-6983	56-7044	✓	✓	✓	✓	✓	✓	✓		56-6963	56-6966
500 Rubicon	05-11	56-7014	56-6983	56-7044	✓	✓	✓	✓	✓	✓	✓		56-6963	56-6966
650 Rincon	03-05	56-7014	56-6984	56-6811	✓	✓	✓	✓	✓	✓	✓		56-6963	56-6966
680 Rincon	06-11	56-7014	56-6984	56-6811	✓	✓	✓	✓	✓	✓	✓		56-6963	56-6966
KAWASAKI														
360 Prairie 4x4	06-11	56-7014	56-6985	56-6954	✓	✓				✓			56-6963	56-6966
650 4x4	07-11	56-7014	56-6986	56-7045²	✓	✓	✓	✓	✓	✓	✓		56-6963	56-6966
650 4x4i	07-10	56-7014	56-6986	56-7045²	✓	✓	✓	✓	✓	✓	✓		56-6963	56-6966
750 4x4i	07-11	56-7014	56-6986	56-7045²	✓	✓	✓	✓	✓	✓	✓		56-6963	56-6966
610 Mule	07-11	56-7014	56-6987	56-6916		✓	✓	✓	✓	✓	✓		56-6963	56-6966

¹ Front mount kit includes winch mount feature

³ Use with up to 54" Standard and Poly blades

² Requires Cycle Country winch mount

⁴ Use with all blades



FRONT FRAME MOUNT BLADE CHART - Blade details on page 904

A	B	C	G	H	I	J	K
\$163.99 56-5508 48" Steel	\$237.99 56-5492 54" Steel	\$261.99 56-5509 60" Steel	\$344.99 56-5899 52" State	\$357.99 56-6291 60" State 21" Tall	\$214.99 56-6069 52" Poly	\$329.99 56-6978 60" Poly 21" Tall	\$359.99 56-6979 66" Poly

SEE CATALOG UPDATES AT **TR DEALER.COM**

PLOW

- SPORT BODY
- BILLET ALUMINUM
- UTILITY BODY
- SEATS & GRAPHICS
- CONTROL
- FUEL & AIR
- ELECTRICAL
- TIRES
- TIRE/WHEEL KITS
- WHEELS
- BRAKE
- BELTS, CHAINS & SPROCKETS
- DRIVE
- SUSPENSION
- BEARINGS
- EXHAUST
- HARD & SOFT LUGGAGE
- HUNTING
- AG & FARMING
- PLOW**
- WINCH
- UTV
- ENGINE
- GENERAL ACCESSORIES
- RAMPS & TIEDOWNS
- CHEMICAL
- TOOLS & SUPPLIES
- DISPLAY & PROMO
- CROSS REFERENCE



CYCLE COUNTRY™ FRONT FRAME MOUNT

Continued from previous page



- SPORT BODY
- BILLET ALUMINUM
- UTILITY BODY
- SEATS & GRAPHICS
- CONTROL
- FUEL & AIR
- ELECTRICAL
- TIRES
- TIRE/WHEEL KITS
- WHEELS
- BRAKE
- BELTS, CHAINS & SPROCKETS
- DRIVE
- SUSPENSION

				Blade Options							Blade Lift Options			
		Front Frame Push Tube \$249.99	Front Frame Mount Kit \$129.99	Compatible CC Winch Mount \$60.69	A	B	C	G	H	I	J	K	Front Rack Quick Lift ³ \$164.99	PowerMax Electric Lift ⁴ \$229.99
KYMCO	Year													
500 & 500i MXU	07-11	56-7014	56-6997		✓	✓	✓	✓	✓	✓	✓		56-6963	56-6966
POLARIS														
500-800 Sportsman X2	06-10	56-7014	56-6988			✓	✓	✓	✓	✓	✓		56-6963	56-6966
500-800 Sportsman	06-10	56-7014	56-6988			✓	✓	✓	✓	✓	✓		56-6963	56-6966
550/850 Sportsman	09-11	56-7014	56-6989 ¹			✓	✓	✓	✓		✓		56-6963	56-6966
800 Ranger RZR (not RZR-S)	07-10	56-7014	56-6990				✓		✓		✓	✓	56-6963	56-6966
SUZUKI														
450-750 King Quad	08-11	56-7014	56-6991	56-7047		✓	✓	✓	✓	✓	✓		56-6963	56-6966
YAMAHA														
350-450 Grizzly 4x4	07-11	56-7014	56-6992		✓	✓		✓		✓			56-6963	56-6966
550-700 Grizzly	07-11	56-7014	56-6993	56-6934 ²		✓	✓	✓	✓	✓	✓		56-6963	56-6966
450/660/700 Rhino	04-11	56-7014	56-6994				✓		✓		✓	✓	56-6963	56-6966

¹ Front mount kit includes winch mount feature
³ Use with up to 54" Standard and Poly blades

² Requires Cycle Country winch mount
⁴ Use with all blades

FRONT FRAME MOUNT BLADE CHART - Blade details on page 904

A	B	C	G	H	I	J	K
\$163.99 56-5508 48" Steel	\$237.99 56-5492 54" Steel	\$261.99 56-5509 60" Steel	\$344.99 56-5899 52" State	\$357.99 56-6291 60" State 21" Tall	\$214.99 56-6069 52" Poly	\$329.99 56-6978 60" Poly 21" Tall	\$359.99 56-6979 66" Poly

CYCLE COUNTRY™ MID FRAME MOUNT

CYCLE COUNTRY™ MID FRAME MOUNT



- New updated design
- Can use model specific or all-mount (if applicable) with the mid frame push tube

ATV PUSH TUBE MID-FRAME (Underbody)

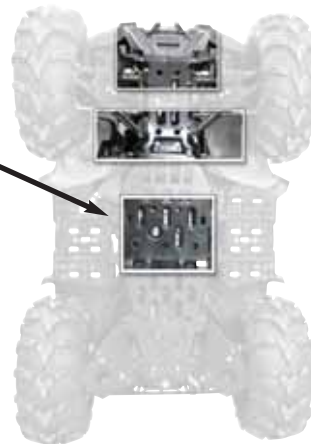
- V-style rugged round tube construction
- 3" longer for added vehicle clearance and lift
- Double strength hinge
- Reinforced 5-position blade adjustment plate
- For all Cycle Country™ Mid-Frame (underbody) mounts
- Works with all Cycle Country™ blades
- Lifting Options: Manual Lift, Quick Lift, Electric Lift or Winch (56-7039, 56-7040)

ALL MOUNT MID-FRAME BRACKET

- Works with current push tube 56-7010 and previous push tube 56-6299
- 3-piece adjustable design fits most ATVs
- Mounts where vehicle-specific mounts would go
- Universal design makes it easier to transfer plow system from vehicle to vehicle
- For Dealers - helps reduce inventory for vehicle-specific mounts



MID FRAME MOUNT LOCATION (Underbody)



					Blade Options							Blade Lift Options				
ARCTIC CAT	Year	Mid Frame Push Tube \$189.99	Model Specific Mount \$68.99	All-Mount \$89.99	A	B	C	E	G	H	I	J	K	Manual Lift ¹ \$149.99	Front Rack Quick Lift ² \$164.99	PowerMax Electric Lift ³ \$229.99
300 4x4	02-05	56-7010	56-6370		✓						✓			56-7015	56-6963	56-6966
366 4x4	08-11	56-7010	56-6939	56-6965	✓	✓			✓		✓			56-7015	56-6963	56-6966
375 4x4	2002	56-7010	56-6370		✓	✓			✓		✓			56-7015	56-6963	56-6966
400i 4x4 (With IRS)	02-04	56-7010	56-6397		✓	✓			✓		✓			56-7015	56-6963	56-6966
400 4x4	05-11	56-7010	56-6364	56-6965		✓			✓		✓			56-7015	56-6963	56-6966
500i 4x4 (With IRS)	02-04	56-7010	56-6397		✓	✓	✓		✓	✓	✓	✓		56-7015	56-6963	56-6966
500 4x4	05-08	56-7010	56-6364	56-6965	✓	✓	✓	✓	✓	✓	✓	✓	✓	56-7015	56-6963	56-6966
550 4x4	09-11	56-7010	56-6364	56-6965	✓	✓	✓	✓	✓	✓	✓	✓	✓	56-7015	56-6963	56-6966
650 4x4	2004	56-7010	56-6397		✓	✓	✓	✓	✓	✓	✓	✓	✓	56-7015	56-6963	56-6966
650 4x4	05-11	56-7010	56-6364	56-6965	✓	✓	✓	✓	✓	✓	✓	✓	✓	56-7015	56-6963	56-6966
700 4x4	06-10	56-7010	56-6364	56-6965	✓	✓	✓	✓	✓	✓	✓	✓	✓	56-7015	56-6963	56-6966
700 4x4 Diesel	07-10	56-7010	56-6364	56-6965	✓	✓	✓	✓	✓	✓	✓	✓	✓	56-7015	56-6963	56-6966
1000 4x4	08-11	56-7010	56-6364	56-6965	✓	✓	✓	✓	✓	✓	✓	✓	✓	56-7015	56-6963	56-6966
CAN-AM																
400 Outlander	05-11	56-7010	56-6473		✓	✓	✓		✓	✓	✓	✓		56-7015		56-6966
500 Quest	2003	56-7010	56-6380		✓	✓	✓		✓	✓	✓	✓		56-7015		56-6966
500 Renegade	08-11	56-7010	56-6473		✓	✓	✓		✓	✓	✓	✓		56-7015		56-6966
500 Traxter	99-05	56-7010	56-6380		✓	✓	✓	✓	✓	✓	✓	✓	✓	56-7015		56-6966
500 Outlander	07-11	56-7010	56-6473		✓	✓	✓	✓	✓	✓	✓	✓	✓	56-7015		56-6966
650 Quest	02-04	56-7010	56-6380		✓	✓	✓	✓	✓	✓	✓	✓	✓	56-7015		56-6966
650 Traxter	2005	56-7010	56-6380		✓	✓	✓	✓	✓	✓	✓	✓	✓	56-7015		56-6966
650 Outlander	06-11	56-7010	56-6473		✓	✓	✓	✓	✓	✓	✓	✓	✓	56-7015		56-6966
800 Outlander	06-11	56-7010	56-6473		✓	✓	✓	✓	✓	✓	✓	✓	✓	56-7015		56-6966
800 Renegade	07-11	56-7010	56-6473		✓				✓		✓			56-7015		56-6966
CF MOTO																
CF500 2A	08-09	56-7010	56-6499	56-6965	✓	✓		✓	✓	✓	✓	✓		56-7015	56-6963	56-6966
Moto X5	2009	56-7010	56-6499	56-6965	✓	✓		✓	✓	✓	✓	✓		56-7015	56-6963	56-6966

¹ Use with up to 60" Standard and Poly blades
² Use with up to 54" Standard and Poly blades
³ Use with all blades

MID FRAME MOUNT BLADE CHART (Underbody) - Blade details on page 904

A	B	C	E	G	H	I	J	K
\$163.99	\$237.99	\$261.99	\$369.99	\$344.99	\$357.99	\$214.99	\$329.99	\$359.99
56-5508	56-5492	56-5509	56-7002	56-5899	56-6291	56-6069	56-6978	56-6979
48" Steel	54" Steel	60" Steel	60" Steel HD 21" Tall	52" State	60" State	52" Poly	60" Poly 21" Tall	66" Poly 21" Tall

DIX-C SIMPLEMENTS™ ON PAGE **910**

- SPORT BODY
- BILLET ALUMINUM
- UTILITY BODY
- SEATS & GRAPHICS
- CONTROL
- FUEL & AIR
- ELECTRICAL
- TIRES
- TIRE/WHEEL KITS
- WHEELS
- BRAKE
- BELTS, CHAINS & SPROCKETS
- DRIVE
- SUSPENSION
- BEARINGS
- EXHAUST
- HARD & SOFT LUGGAGE
- HUNTING
- AG & FARMING
- PLOW**
- WINCH
- UTV
- ENGINE
- GENERAL ACCESSORIES
- RAMPS & TIEDOWNS
- CHEMICAL
- TOOLS & SUPPLIES
- DISPLAY & PROMO
- CROSS REFERENCE

SPORT BODY

BILLET ALUMINUM

UTILITY BODY

SEATS & GRAPHICS

CONTROL

FUEL & AIR

ELECTRICAL

TIRES

TIRE/WHEEL KITS

WHEELS

BRAKE

BELTS, CHAINS & SPROCKETS

DRIVE

SUSPENSION

BEARINGS

EXHAUST

HARD & SOFT LUGGAGE

HUNTING

AG & FARMING

PLOW

WINCH

UTV

ENGINE

GENERAL ACCESSORIES

RAMPS & TIEDOWNS

CHEMICAL

TOOLS & SUPPLIES

DISPLAY & PROMO

CROSS REFERENCE

Blade Options

Blade Lift Options

HONDA	Year	Mid Frame Push Tube \$189.99	Model Specific Mount \$68.99	All-Mount \$89.99	Blade Options											Blade Lift Options		
					A	B	C	E	G	H	I	J	K	Manual Lift ¹ \$149.99	Front Rack Quick Lift ² \$164.99	PowerMax Electric Lift ³ \$229.99		
TRX 250 Recon	03-11	56-7010	56-6368		✓	✓						✓			56-7015	56-6963	56-6966	
TRX 300	93-00	56-7010	56-6302		✓	✓						✓			56-7015	56-6963	56-6966	
TRX 350	89 & Older	56-7010	56-6305		✓	✓						✓			56-7015	56-6963	56-6966	
TRX 350	89-03	56-7010	56-6307		✓	✓						✓			56-7015	56-6963	56-6966	
TRX 350	04-06	56-7010	56-6369		✓	✓						✓			56-7015	56-6963	56-6966	
TRX 400 Foreman	02 & Older	56-7010	56-6311		✓	✓						✓			56-7015	56-6963	56-6966	
TRX 400 Rancher	04-07	56-7010	56-6369		✓	✓			✓			✓			56-7015	56-6963	56-6966	
TRX 420 Rancher	07-11	56-7010	56-6391	56-6965	✓	✓	✓		✓			✓			56-7015	56-6963	56-6966	
TRX 450 Foreman	98-04	56-7010	56-6311		✓	✓	✓		✓	✓		✓			56-7015	56-6963	56-6966	
TRX 500 Rubicon	04 & Older	56-7010	56-6308		✓	✓	✓	✓	✓	✓	✓	✓	✓		56-7015	56-6963	56-6966	
TRX 500 Foreman	05-11	56-7010	56-6375	56-6965	✓	✓	✓	✓	✓	✓	✓	✓	✓		56-7015	56-6963	56-6966	
TRX 500 Rubicon	05-11	56-7010	56-6375	56-6965	✓	✓	✓	✓	✓	✓	✓	✓	✓		56-7015	56-6963	56-6966	
TRX 650 Rincon	03-05	56-7010	56-6309	56-6965	✓	✓	✓	✓	✓	✓	✓	✓	✓		56-7015	56-6963	56-6966	
TRX 680 Rincon	08-11	56-7010	56-6309	56-6965	✓	✓	✓	✓	✓	✓	✓	✓	✓		56-7015	56-6963	56-6966	
JOHN DEERE																		
650 John Deere Buck	04-06	56-7010	56-6380		✓	✓	✓	✓	✓	✓	✓	✓	✓		56-7015	56-6963	56-6966	
650 John Deere Trail Buck	04-05	56-7010	56-6380		✓	✓	✓	✓	✓	✓	✓	✓	✓		56-7015	56-6963	56-6966	
KAWASAKI																		
250 Bayou 2x4	02-08	56-7010	56-6338		✓										56-7015	56-6963	56-6966	
300 Bayou 4x4	2003	56-7010	56-6315		✓										56-7015	56-6963	56-6966	
300 Prairie	02 & Older	56-7010	56-6319		✓										56-7015	56-6963	56-6966	
360 Prairie	02-11	56-7010	56-6314	56-6965	✓	✓			✓		✓				56-7015	56-6963	56-6966	
650 Brute Force 4x4	05-11	56-7010	56-6339		✓	✓	✓	✓	✓	✓	✓	✓	✓		56-7015	56-6963	56-6966	
650 Brute Force 4x4i	06-09	56-7010	56-6363	56-6965	✓	✓	✓	✓	✓	✓	✓	✓	✓		56-7015	56-6963	56-6966	
650 Prairie 4x4	02-03	56-7010	56-6339		✓	✓	✓	✓	✓	✓	✓	✓	✓		56-7015	56-6963	56-6966	
700 Twin Prairie 4x4	04-06	56-7010	56-6339		✓	✓	✓	✓	✓	✓	✓	✓	✓		56-7015	56-6963	56-6966	
750 Brute Force 4x4i	05-11	56-7010	56-6363	56-6965	✓	✓	✓	✓	✓	✓	✓	✓	✓		56-7015	56-6963	56-6966	
KYMCO																		
MXU250	2005	56-7010	56-6377		✓							✓			56-7015	56-6963	56-6966	
MXU375	09-10	56-7010	56-6957		✓	✓			✓		✓				56-7015	56-6963	56-6966	
MXU500	07-10	56-7010	56-6429	56-6965	✓	✓	✓		✓	✓	✓	✓			56-7015	56-6963	56-6966	
POLARIS																		
250 4x4, 4x6	89-01	56-7010	56-6331		✓							✓			56-7015	56-6963	56-6966	
250 Xplorer 4x4	2002	56-7010	56-6399		✓							✓			56-7015	56-6963	56-6966	
300 4x2, 4x4	96-99	56-7010	56-6332		✓							✓			56-7015	56-6963	56-6966	
300 Hawkeye/Sportsman	06-08	56-7010	56-6387	56-6965	✓	✓						✓			56-7015	56-6963	56-6966	
325 Magnum	01 & Older	56-7010	56-6336		✓	✓						✓			56-7015	56-6963	56-6966	
330 Magnum & ATP	03-05	56-7010	56-6353		✓	✓						✓			56-7015	56-6963	56-6966	
335 Sportsman	00 & Older	56-7010	56-6334		✓	✓						✓			56-7015	56-6963	56-6966	
350 2x4, 4x4, 6x6	93 & Older	56-7010	56-6331		✓	✓						✓			56-7015	56-6963	56-6966	
400 2x4, 4x4	94-97	56-7010	56-6331		✓	✓						✓			56-7015	56-6963	56-6966	
400 Scrambler	98-02	56-7010	56-6342		✓	✓	✓		✓			✓			56-7015	56-6963	56-6966	
400 Sportsman	2001	56-7010	56-6334		✓	✓	✓		✓			✓			56-7015	56-6963	56-6966	
400 Sportsman	02-05	56-7010	56-6353		✓	✓	✓		✓			✓			56-7015	56-6963	56-6966	
400 Sportsman H.O.	08-10	56-7010	56-6387	56-6965	✓	✓	✓		✓			✓			56-7015	56-6963	56-6966	
400 Sportsman H.O.	2011	56-7010	56-6353		✓	✓	✓		✓			✓			56-7015	56-6963	56-6966	
425 Magnum 4x4, 4x6	98 & Older	56-7010	56-6331		✓	✓	✓		✓			✓			56-7015	56-6963	56-6966	
445 Diesel	1999	56-7010	56-6334		✓	✓	✓		✓			✓			56-7015	56-6963	56-6966	
450 Sportsman	06-07	56-7010	56-6353		✓	✓	✓		✓	✓		✓			56-7015	56-6963	56-6966	

¹ Use with up to 60" Standard and Poly blades
² Use with up to 54" Standard and Poly blades
³ Use with all blades



MID FRAME MOUNT BLADE CHART (Underbody) - Blade details on page 904

A	B	C	E	G	H	I	J	K
\$163.99	\$237.99	\$261.99	\$369.99	\$344.99	\$357.99	\$214.99	\$329.99	\$359.99
56-5508	56-5492	56-5509	56-7002	56-5899	56-6291	56-6069	56-6978	56-6979
48" Steel	54" Steel	60" Steel	60" Steel HD 21" Tall	52" State	60" State	52" Poly	60" Poly 21" Tall	66" Poly 21" Tall

CYCLE COUNTRY™ MID FRAME MOUNT

PLOW

POLARIS Cont.	Year	Mid Frame Push Tube \$189.99	Model Specific Mount \$68.99	All-Mount \$89.99	Blade Options							Blade Lift Options				
					A	B	C	E	G	H	I	J	K	Manual Lift ¹ \$149.99	Front Rack Quick Lift ² \$164.99	PowerMax Electric Lift ³ \$229.99
500 Magnum	99-01	56-7010	56-6336			✓	✓		✓	✓	✓			56-7015	56-6963	56-6966
500 Scrambler	98-05	56-7010	56-6342			✓	✓		✓	✓	✓			56-7015		56-6966
500 Sportsman 6x6	00-02	56-7010	56-6399			✓	✓		✓	✓	✓			56-7015		56-6966
500 Sportsman H.O & EFI	03-10	56-7010	56-6353			✓	✓	✓	✓	✓	✓	✓		56-7015		56-6966
500 Sportsman X2	06-09	56-7010	56-6424			✓	✓	✓	✓	✓	✓	✓		56-7015		56-6966
550 Sportsman (All)	09-11	56-7010	56-6430	56-6965		✓	✓	✓	✓	✓	✓	✓				56-6966
600 Sportsman	03-04	56-7010	56-6353			✓	✓	✓	✓	✓	✓	✓		56-7015		56-6966
700 Sportsman	02-07	56-7010	56-6353			✓	✓	✓	✓	✓	✓	✓		56-7015		56-6966
700 Sportsman X2	2008	56-7010	56-6424			✓	✓	✓	✓	✓	✓	✓		56-7015		56-6966
800 Sportsman	05-10	56-7010	56-6353			✓	✓	✓	✓	✓	✓	✓		56-7015		56-6966
800 Sportsman X2	07-09	56-7010	56-6424			✓	✓	✓	✓	✓	✓	✓		56-7015		56-6966
850 Sportsman (All)	09-11	56-7010	56-6430	56-6965		✓	✓	✓	✓	✓	✓	✓				56-6966
SUZUKI																
250 2x4	97-01	56-7010	56-6348		✓									56-7015	56-6963	56-6966
250 Ozark 2x4	02-06	56-7010	56-6351		✓									56-7015	56-6963	56-6966
280 King Quad	98 & Older	56-7010	56-6348		✓									56-7015	56-6963	56-6966
300 King Quad	99-01	56-7010	56-6348		✓	✓								56-7015	56-6963	56-6966
300 King Quad	2002	56-7010	56-6400		✓	✓								56-7015	56-6963	56-6966
400 Eiger	02-04	56-7010	56-6350		✓	✓			✓		✓			56-7015	56-6963	56-6966
400 Eiger	05-07	56-7010	56-6373		✓	✓			✓		✓			56-7015	56-6963	56-6966
400 King Quad	08-11	56-7010	56-6373	56-6965	✓	✓			✓		✓			56-7015	56-6963	56-6966
450 King Quad	08-10	56-7010	56-6366	56-6965	✓	✓	✓		✓	✓	✓			56-7015	56-6963	56-6966
500 King Quad	09-11	56-7010	56-6366	56-6965	✓	✓	✓	✓	✓	✓	✓	✓		56-7015	56-6963	56-6966
500 Quad Runner	02 & Older	56-7010	56-6350		✓				✓		✓			56-7015	56-6963	56-6966
500 Vinson	02-07	56-7010	56-6350		✓	✓			✓		✓			56-7015	56-6963	56-6966
700 Twin Peak	2004	56-7010	56-6339		✓	✓	✓	✓	✓	✓	✓	✓		56-7015	56-6963	56-6966
700 King Quad	05-07	56-7010	56-6366	56-6965	✓	✓	✓	✓	✓	✓	✓	✓		56-7015	56-6963	56-6966
750 King Quad	08-11	56-7010	56-6366	56-6965	✓	✓	✓	✓	✓	✓	✓	✓		56-7015	56-6963	56-6966
TGB																
425 TGB Outback	2008	56-7010	56-6456		✓	✓			✓		✓			56-7015	56-6963	56-6966
YAMAHA																
250 Timberwolf	99 & Older	56-7010	56-6361		✓									56-7015	56-6963	56-6966
350 Bruin	04-06	56-7010	56-6354	56-6965	✓	✓					✓			56-7015	56-6963	56-6966
350 Raptor	05-06	56-7010	56-6352	56-6965	✓	✓					✓			56-7015	56-6963	56-6966
350 Wolverine	05 & Older	56-7010	56-6352	56-6965	✓	✓					✓			56-7015	56-6963	56-6966
350 Grizzly	07-11	56-7010	56-6354	56-6965	✓	✓					✓			56-7015	56-6963	56-6966
400 Big Bear	00-11	56-7010	56-6352	56-6965	✓	✓			✓		✓			56-7015	56-6963	56-6966
400 Kodiak	03-06	56-7010	56-6354	56-6965	✓	✓			✓		✓			56-7015	56-6963	56-6966
450 Grizzly	07-11	56-7010	56-6354	56-6965	✓	✓			✓		✓			56-7015	56-6963	56-6966
450 Kodiak	03-06	56-7010	56-6354	56-6965	✓	✓			✓		✓			56-7015	56-6963	56-6966
450 Wolverine	06-07	56-7010	56-6388		✓	✓			✓		✓			56-7015	56-6963	56-6966
550 Grizzly	09-11	56-7010	56-6455	56-6965	✓	✓	✓	✓	✓	✓	✓	✓		56-7015	56-6963	56-6966
600 Grizzly	01 & Older	56-7010	56-6356		✓	✓	✓	✓	✓	✓	✓	✓		56-7015	56-6963	56-6966
660 Grizzly	02-08	56-7010	56-6455	56-6965	✓	✓	✓	✓	✓	✓	✓	✓		56-7015	56-6963	56-6966
700 Grizzly	07-11	56-7010	56-6455	56-6965	✓	✓	✓	✓	✓	✓	✓	✓		56-7015	56-6963	56-6966

- SPORT BODY
- BILLET ALUMINUM
- UTILITY BODY
- SEATS & GRAPHICS
- CONTROL
- FUEL & AIR
- ELECTRICAL
- TIRES
- TIRE/WHEEL KITS
- WHEELS
- BRAKE
- BELTS, CHAINS & SPROCKETS
- DRIVE
- SUSPENSION
- BEARINGS
- EXHAUST
- HARD & SOFT LUGGAGE
- HUNTING
- AG & FARMING
- PLOW**
- WINCH
- UTV
- ENGINE
- GENERAL ACCESSORIES
- RAMPS & TIEDOWNS
- CHEMICAL
- TOOLS & SUPPLIES
- DISPLAY & PROMO
- CROSS REFERENCE

¹ Use with up to 60" Standard and Poly blades
² Use with up to 54" Standard and Poly blades
³ Use with all blades



MID FRAME MOUNT BLADE CHART (Underbody) - Blade details on page 904

A	B	C	E	G	H	I	J	K
\$163.99	\$237.99	\$261.99	\$369.99	\$344.99	\$357.99	\$214.99	\$329.99	\$359.99
56-5508	56-5492	56-5509	56-7002	56-5899	56-6291	56-6069	56-6978	56-6979
48" Steel	54" Steel	60" Steel	60" Steel HD 21" Tall	52" State	60" State	52" Poly	60" Poly 21" Tall	66" Poly 21" Tall

SEE CATALOG UPDATES AT **TR DEALER.COM**

PLOW

SPORT BODY

BILLET ALUMINUM

UTILITY BODY

SEATS & GRAPHICS

CONTROL

FUEL & AIR

ELECTRICAL

TIRES

TIRE/WHEEL KITS

WHEELS

BRAKE

BELTS, CHAINS & SPROCKETS

DRIVE

SUSPENSION

BEARINGS

EXHAUST

HARD & SOFT LUGGAGE

HUNTING

AG & FARMING

PLOW

WINCH

UTV

ENGINE

GENERAL ACCESSORIES

RAMPS & TIEDOWNS

CHEMICAL

TOOLS & SUPPLIES

DISPLAY & PROMO

CROSS REFERENCE

910

CYCLE COUNTRY™ DIX-C SYSTEM



UNIVERSAL DIX-C PUSH TUBE ADAPTER

IDENTIFY YOUR PUSH TUBE

CHOOSE YOUR SIMPLEMENTS™

1. UNIVERSAL DIX-C PUSH TUBE ADAPTER

CYCLE COUNTRY™ DIX-C PUSH TUBE ADAPTER NEW

- Bolts onto front of the ATV push tube
- Converts Cycle Country™ and most competitors push tube into the male end of DIX-C System
- Will work with Cycle Country™ Blizzard UTV Push Tube
- First step to make push tube into a drive-in system
- Patent pending

56-7019 \$89.99



56-7019

Blades ON PAGE **904**



Drive In

2. IDENTIFY YOUR PUSH TUBE

CYCLE COUNTRY™ QUICK ATTACH BLADE ADAPTERS NEW

- Uses current hinge plate on push tube for blade connection
- Bolts underneath blade hinge
- Converts your existing blade system into a Quick Attach Blade
- For non-Cycle Country™ or Warn® push tube use the Triple Play Quick attach so you're ready to use Cycle Country™ blades
- Note year model of Cycle Country™ Push Tube application
- Does not include blade

Push Tube Description	P/N	Retail
Cycle Country 2011 (5 Position)	56-7023	\$59.99
Cycle Country Pre-2011 (3 Position)	56-7024	\$59.99
Warn® Push Tube w/Warn® Blade	56-7025	\$59.99
Non-Cycle Country™ Push Tube w/CC Blade	56-7017¹	129.99

¹ Includes Cycle Country™ hinge - now ready for Cycle Country™ Blade



56-7023



56-7017



Drive Out

3. CHOOSE YOUR SIMPLEMENTS™

CYCLE COUNTRY™ ALL-SEASON SIMPLEMENTS™ NEW

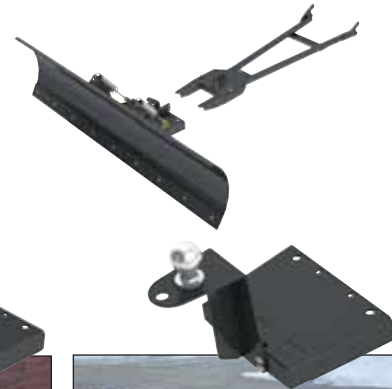
- Simplements™ make your push tube more than a snow plow tool
- Easy Drive-In-X-Change system allows for simple changing applications

Description	P/N	Retail
Trash Can Shuttle™	56-7028	\$79.99
Ball Hitch Receiver™	56-7026¹	79.99

¹ Trailer ball not included



56-7028



56-7026

CYCLE COUNTRY™ TRIPLE PLAY SYSTEM NEW

- Finally a push tube that will fit Cycle Country, Warn and Moose mounts
- Push tube comes with the DIX-C push tube adapter
- Use the Triple Play Quick attach blade adapter to mount to any Cycle Country Blade
- Plus use the All-Season Simplements™ for more Triple Play Push Tube Action
- Does not include blade

TRIPLE PLAY PUSH TUBE 56-7071 \$199.99

TRIPLE PLAY QUICK ATTACH BLADE ADAPTER 56-7017 \$129.99



56-7071

56-7017



56-7071



Superior Blade Lift

SPORT BODY

BILLET ALUMINUM

UTILITY BODY

SEATS & GRAPHICS

CONTROL

FUEL & AIR

ELECTRICAL

TIRES

TIRE/WHEEL KITS

WHEELS

BRAKE

BELTS, CHAINS & SPROCKETS

DRIVE

SUSPENSION

BEARINGS

EXHAUST

HARD & SOFT LUGGAGE

HUNTING

AG & FARMING

PLOW

WINCH

UTV

ENGINE

GENERAL ACCESSORIES

RAMPS & TIEDOWNS

CHEMICAL

TOOLS & SUPPLIES

DISPLAY & PROMO

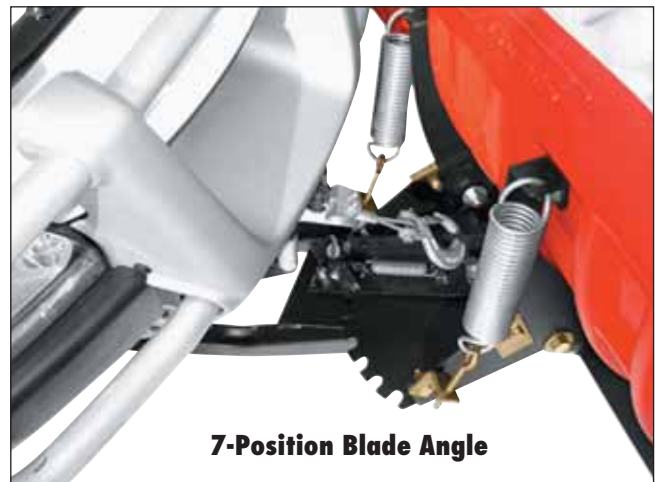
CROSS REFERENCE



Speed-Latch™ Mount (Off)



Speed-Latch™ Mount (On)



7-Position Blade Angle



Replacement Skid Plate Kit
56-6067



Replacement Shear Pin Kit
56-6960



**CYCLE COUNTRY™
WORK FORCE™ PLOW SYSTEM**

- Introducing the industry's first A-arm mounted plow A.R.M. (Assisted Release Mount) that fits most every machine
- Combine A.R.M. with Cycle Country's drive-up Speed-Latch™ and 7-Position Blade Angle to maximize plowing efficiency
- Includes your choice of blade (52" X-Force™ poly blade or 52" BearForce™ steel blade) push tube and A.R.M. Mount
- Requires a power winch electric lift or quick-lift

Description	P/N	Retail
A.R.M. Mount with 52" X-Force™ Poly Blade	56-6065	\$599.99
A.R.M. Mount with 52" BearForce™ Blade	56-6066	599.99
Accessories		
Replacement Skid Plate Kit	56-6067	\$53.99
Replacement Shear Pin Kit A.R.M. Plow	56-6960	13.99
Wide A-Arm Bracket Kit	56-6964	71.99



- SPORT BODY
- BILLET ALUMINUM
- UTILITY BODY
- SEATS & GRAPHICS
- CONTROL
- FUEL & AIR
- ELECTRICAL
- TIRES
- TIRE/WHEEL KITS
- WHEELS
- BRAKE
- BELTS, CHAINS & SPROCKETS
- DRIVE
- SUSPENSION
- BEARINGS
- EXHAUST
- HARD & SOFT LUGGAGE
- HUNTING
- AG & FARMING
- PLOW
- WINCH
- UTV
- ENGINE
- GENERAL ACCESSORIES
- RAMPS & TIEDOWNS
- CHEMICAL
- TOOLS & SUPPLIES
- DISPLAY & PROMO
- CROSS REFERENCE

CYCLE COUNTRY™ UTV PLOW SYSTEMS

BLIZZARD PUSH TUBE

- Provides 5-1/2" of lift
- The original Cycle Country™ UTV Push Tube

HEAVY-DUTY SNOW FORCE PUSH TUBE

- Industry's first fully modular plow system for UTVs
- Requires front-mounted 2" receiver
- 5 manually adjusted blade positions with straight blades, 9 positions with V-Force blade
- Lift Options: Winch (56-7039, 56-7040) or Optional Hydraulic kits for blade angling and lifting
- Unique drop-down kick stand for easy drive in/drive out attachment



		UTV H-D SNOW FORCE PUSH TUBE SET-UP Need all components in this area		UTV BLIZZARD PUSH TUBE SET-UP Need all components in this area				Blade Options							
		Snow Force Push Tube	2" Receiver	Blizzard Push Tube	Blizzard Mount Kit	2" Receiver	T-Bar Adapter ³	C	D	E	F	J	K	L	M ⁴
ARCTIC CAT	Year	\$489.99	\$134.99	\$313.99	\$134.99	\$134.99	\$134.99								
Prowler (All)	06-11	56-6073	56-6955 ²	56-6310		56-6955 ²	56-6507 ¹		✓		✓	✓	✓	✓	✓
HONDA															
Big Red (All)	09-11	56-6073	56-6486	56-6310		56-6486	56-6485		✓		✓	✓	✓	✓	✓
KAWASAKI															
Mule 3010 (All)	01-11			56-6310	56-6405				✓		✓	✓	✓	✓	✓
Mule 4010 4x4 (All)	09-11	56-6073	56-6488	56-6310		56-6488	56-6489		✓		✓	✓	✓	✓	✓
Mule 610 4x4 (All, Except 610XC)	05-11			56-6310	56-6385			✓		✓	✓	✓	✓	✓	✓
Teryx 750 4x4 (All)	08-11	56-6073	56-6474	56-6310		56-6474	56-6475		✓		✓	✓	✓	✓	✓
KUBOTA															
RTV500	2009	56-6073	56-6956 ²					✓	✓	✓		✓	✓	✓	
KYMCO															
UXV500	2009	56-6073	56-7049					✓		✓		✓	✓		
POLARIS															
Ranger 4x4 (500-700, XP & LE)	02-08			56-6310	56-6401				✓		✓	✓	✓	✓	✓
Ranger Crew Cab	02-09			56-6310	56-6401				✓		✓	✓	✓	✓	✓
Ranger (500-800, XP, LE & HD)	09-10	56-6073	56-6492	56-6310		56-6492	56-6508		✓		✓	✓	✓	✓	✓
Ranger 800 Crew Cab	10-11	56-6073	56-6492	56-6310		56-6492	56-6508		✓		✓	✓	✓	✓	✓
Ranger RZR (All)	07-08			56-6310	56-6931			✓				✓	✓		
Ranger RZR (All, Except RZR S)	2009			56-6310	56-6493			✓				✓	✓		
YAMAHA															
Rhino (All)	04-10	56-6073	56-6511					✓	✓	✓		✓	✓	✓	✓

¹ Includes Reinforcement kit & T-Bar

³ The T-Bar adapter enables 56-6310 to be installed to a Cycle Country 2" Receiver Kit

² Receiver Reinforcement kit must be used for 56-6073

⁴ 72" V-plow only compatible with 56-6073 Snow Force Tube

UTV PLOWS BLADE OPTION CHART - Blade details on page 904

C	D	E	F	J	K	L	M
\$261.99	\$333.99	\$369.99	\$439.99	\$329.99	\$359.99	\$399.99	\$834.99
56-5509	56-6292	56-7002	56-7006	56-6978	56-6979	56-6980	56-6074
60" Steel	72" Steel	60" Steel HD 21" Tall	72" Steel HD 21" Tall	60" Poly 21" Tall	66" Poly 21" Tall	72" Poly 21" Tall	72" V-Blade

BLADE LIFT OPTIONS FOR UTV

Description	P/N	Retail
PowerMax Electric Lift	56-6966	229.99
PowerMax 2500 lb. Winch	56-7039	279.99
PowerMax 3500 lb. Winch	56-7040	349.99
Hydraulic Lift (Snow Force Tube Only)	56-6077	641.99





CYCLE COUNTRY™ PLOW DOWN FORCE KIT

- Add 150 lbs. of down force
- Perfect for gravel and compact snow removal
- Fits most ATVs due to almost 9" of adjustment capability

Accessories	P/N	Retail
Down Force Kit	56-6431	\$99.99
Down Force Gas Shock only	56-6076	99.99

Self-Contained Optional Hydraulic Packages

Hydraulic Lift (Straight & "V" Blades)	56-6077¹	\$641.99
Hydraulic Power Angle (Straight Blades)	56-6075¹	641.99
Hydraulic Power Angle ("V" Blades)	56-6076¹	999.99

¹ Use with 56-6073 Snow Force Tube only

Plow Blade Mounting Kit Application Chart ON PAGE

905



Tire Chain Applications ON PAGE

401



CYCLE COUNTRY™ V-BAR TIRE CHAIN

- V-bars are much deeper, they will not fall between the lugs on ATV tires
- V-bars provide "Super" traction because of the sharp points on the V-Bar
- Sold in pairs

Chain Size	Description	P/N	Retail
Small	8 V-bars per row, 14.5"W x 52"L	56-5502	\$45.99
Medium	9 V-bars per row, 14.5"W x 54"L	56-5503	48.99
Large	10 V-bars per row, 17"W x 56"L	56-5504	58.99



NEW

CYCLE COUNTRY™ PUSH TUBE EXTENDER

- 15" Plow Extender works with all ATV Track Systems
- Easily bolts between the Cycle Country™ plow and standard Push Tube
- Reinforced to take stress of tracks

56-7016 \$115.99



56-7031

CYCLE COUNTRY™ PLOW BLADE MARKER

- Increases visibility of plow edges for safety
- Easily bolts to sides of the Cycle Country™ steel plows
- Pro Series has spring mount for durability
- Sold in pairs

Description	P/N	Retail
Standard	56-5898	\$13.99
Pro Series	56-7031	35.99

56-5898



CYCLE COUNTRY™ HEATED GRIPS

- Comfortable rubber grips are 5" long with a 7/8" inside diameter and 24" leads
- Fits nearly all ATV models
- Installs quickly and easily to your 12 volt battery
- Kit includes grips, on/off switch and a selection of mounting hardware

56-5493 \$49.99

- SPORT BODY
- BILLET ALUMINUM
- UTILITY BODY
- SEATS & GRAPHICS
- CONTROL
- FUEL & AIR
- ELECTRICAL
- TIRES
- TIRE/WHEEL KITS
- WHEELS
- BRAKE
- BELTS, CHAINS & SPROCKETS
- DRIVE
- SUSPENSION
- BEARINGS
- EXHAUST
- HARD & SOFT LUGGAGE
- HUNTING
- AG & FARMING
- PLOW**
- WINCH
- UTV
- ENGINE
- GENERAL ACCESSORIES
- RAMPS & TIEDOWNS
- CHEMICAL
- TOOLS & SUPPLIES
- DISPLAY & PROMO
- CROSS REFERENCE

- SPORT BODY
- BILLET ALUMINUM
- UTILITY BODY
- SEATS & GRAPHICS
- CONTROL
- FUEL & AIR
- ELECTRICAL
- TIRES
- TIRE/WHEEL KITS
- WHEELS
- BRAKE
- BELTS, CHAINS & SPROCKETS
- DRIVE
- SUSPENSION
- BEARINGS
- EXHAUST
- HARD & SOFT LUGGAGE
- HUNTING
- AG & FARMING
- PLOW**
- WINCH
- UTV
- ENGINE
- GENERAL ACCESSORIES
- RAMPS & TIEDOWNS
- CHEMICAL
- TOOLS & SUPPLIES
- DISPLAY & PROMO
- CROSS REFERENCE



NEW

CYCLE COUNTRY™ POWERMAX SYNTHETIC ROPE

- 50' of 3/16" diameter synthetic rope
- 4,620lb. breaking strength, greater than steel cable
- Stainless steel thimble included
- Minimal snapback on weight limit breakage versus steel
- No more curls, kinks or wire splinters
- Lightweight, handles easy and even floats

56-7043 \$69.99



CYCLE COUNTRY™ POWERMAX WINCHES

NEW

- All steel 3-stage planetary gear train for reliability and smooth operation
- Weather-resistant sealed drums and motor
- Ergonomic dial for free spooling to clutch engagement
- Automatic mechanical cable drum brake
- Pre-wound with 50' steel cable
- Heavy-duty load relay protects motor
- Heavy-duty 6 gauge wiring with color-coded quick connect wiring harness
- Premium handlebar mount controls with wiring harness
- 4-way roller fairlead, mounting plate and hardware included
- Optional wireless remote control kit 56-7041 available
- Backed by manufacturer's limited lifetime warranty

Description	P/N	Retail
2500lb. Winch	56-7039	\$279.99
3500lb. Winch	56-7040	349.99



NEW

CYCLE COUNTRY™ POWERMAX ELECTRIC LIFT

- Faster lift action than other electric lifts
- 750lb lift capacity
- 2,000lb lift strap (1"x39") won't break like some cables
- Easily mounted switch activates lift
- Electric Lift mounts to push tube
- Backed by manufacturer's limited lifetime warranty

56-6966 \$229.99



CYCLE COUNTRY™ POWERMAX WIRELESS REMOTE KIT

NEW

- Handheld remote control
- Code-matched to wireless receiver
- Wireless receiver, wiring harness and hardware included
- Hard-wire to battery or key-on only operation (recommended for safety)

914 56-7041 \$89.99



CYCLE COUNTRY™ WINCH HOOK EXTENSION

- Raises mounting point of cable to prevent rub on blade position lever
- Decreases cable angle for better pulling

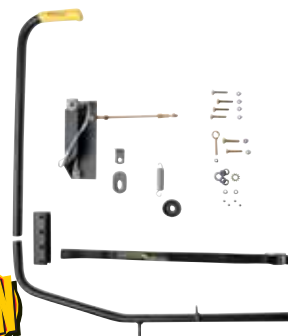
56-6457 \$24.49



CYCLE COUNTRY™ PLOW LIGHTS

- Easy plug-in switch
- Wide enough not to interfere with headlights
- Inline on/off switch
- Mounts to all ATVs

56-6038 \$99.99



CYCLE COUNTRY™ MANUAL LIFT



- For use with NEW Push Tube 56-7010
- Requires a low lift effort while achieving serious lift
- Gets at least 5-1/2" of lift
- Blade locks securely in the up position

56-7015 \$149.99



CYCLE COUNTRY™ FRONT RACK QUICK LIFT



- Attaches to front rack with EZ mount system - no tools required
- Ratcheting handle allows user to lock blade in any of 4 positions
- Operates with minimal lifting effort
- Works with most ATV plow systems

56-6963 \$164.99



CYCLE COUNTRY™ MANUAL PLOW ANGLE KIT

- Adjust the angle of plow without leaving your seat
- Quick and easy to install

56-5791 \$49.99



CYCLE COUNTRY™ HIGH-LITE L.E.D. BLADE LIGHT



- Mounts on the blade or the ATV rack
- Gauge on/off switch
- 36 L.E.D.s directionally adjustable (frontwards or backwards)
- 50,000 hour L.E.D. life expectancy, 1 watt per L.E.D. draw on battery
- 10' plug-n-play 12V cigarette lighter power cord (fully extended)

56-7051 \$99.99

CYCLE COUNTRY™ RUBBER PLOW FLAP

- Keeps the snow from flying back in your face
- Comes standard on State Plows
- Cut to any size 42" to 72"

56-6324 \$35.99



CYCLE COUNTRY™ PLOW WING

- Greatly reduces the amount of overflow
- Bolts to either side of the Cycle Country™ Bear Force™ Plows
- Will not work on Poly XT Blades

56-4597 \$40.99



- SPORT BODY
- BILLET ALUMINUM
- UTILITY BODY
- SEATS & GRAPHICS
- CONTROL
- FUEL & AIR
- ELECTRICAL
- TIRES
- TIRE/WHEEL KITS
- WHEELS
- BRAKE
- BELTS, CHAINS & SPROCKETS
- DRIVE
- SUSPENSION
- BEARINGS
- EXHAUST
- HARD & SOFT LUGGAGE
- HUNTING
- AG & FARMING
- PLOW
- WINCH
- UTV
- ENGINE
- GENERAL ACCESSORIES
- RAMPS & TIEDOWNS
- CHEMICAL
- TOOLS & SUPPLIES
- DISPLAY & PROMO
- CROSS REFERENCE

- SPORT BODY
- BILLET ALUMINUM
- UTILITY BODY
- SEATS & GRAPHICS
- CONTROL
- FUEL & AIR
- ELECTRICAL
- TIRES
- TIRE/WHEEL KITS
- WHEELS
- BRAKE
- BELTS, CHAINS & SPROCKETS
- DRIVE
- SUSPENSION
- BEARINGS
- EXHAUST
- HARD & SOFT LUGGAGE
- HUNTING
- AG & FARMING
- PLOW**
- WINCH
- UTV
- ENGINE
- GENERAL ACCESSORIES
- RAMPS & TIEDOWNS
- CHEMICAL
- TOOLS & SUPPLIES
- DISPLAY & PROMO
- CROSS REFERENCE



56-5992



56-5758



56-6509



56-5989



56-6510

REPLACEMENT PARTS FOR CYCLE COUNTRY™ PLOW SYSTEMS

Plow Replacement Parts Box

- Great tool so dealers can have most common parts at hand

56-5992 \$69.99

Replacement Pin Kit

- Includes 6 clevis pins and 6 hair pins for your plow mount

56-5995 \$8.99

Push Tube Refurbish Kit

- All of the parts that come with the Push Tube in one kit

56-5990 \$37.99

Manual Lift Refurbish Kits

- Replacement hardware for either the Lift Arm or Link Channel

Description	P/N	Retail
Lift Arm Refurbish Kit for Manual Lift	56-6509	\$26.99
Link Channel Refurbish Kit for Manual Lift	56-6510	14.99

Heavy-Duty Skid Kit

- Update your older Work Power 5 Plow with a Heavy-Duty Skid Kit
- Installs in minutes
- Includes 2 skids
- Will NOT work on Power Vee Blades, fits all straight blades

56-5758 \$59.99

Replacement Heavy-Duty Skids

- Replace the worn skids on your Work Power 2000 Plow with this complete kit
- Installs in minutes
- Includes 1 skid
- Will NOT work on Power Vee Blades, fits all straight blades

56-5989 \$19.99

Replacement Parts

Description	P/N	Retail
Attaching Pin	56-5769	\$8.54
Locking Pin	56-5735	1.99
Wearbar Bolt Kits	56-6938	5.95

Long Life Double Sided Wear Bar

- Cycle Country's standard wear bars are made with Superior hardened steel for heavy-duty applications
- These bars typically last 200% longer per side than other high strength bars

Description	P/N	Retail
42"	56-6465	\$72.99
48"	56-6466	74.99
52"	56-6467	79.99
54"	56-6468	92.99
60"	56-6469	94.99
66"	56-7032	95.99
72"	56-6470	96.99

High Strength Wear Bar

- Cycle Country's standard wear bars are made with high strength hardened steel
- Testing has shown these bars average 30% longer life than other high strength bars

Description	P/N	Retail
42"	56-6080	\$31.99
48"	56-6081	29.99
52"	56-6082	31.99
54"	56-6083	34.99
60"	56-6084	36.99
66"	56-7035	40.99
72"	56-6085	43.99
72" V-Plow	56-7038	79.99

Plastic Wear Bar

- These wear bars have softer impact so they are great for paver stone driveways
- 3/4" ultra high molecular weight plastic

Description	P/N	Retail
48"	56-5909	\$49.99
54"	56-6462	51.99
60"	56-6086	35.99

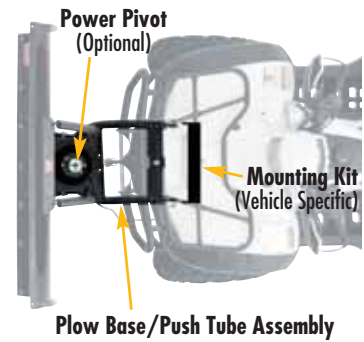
WARN® ProVantage™ PLOW SYSTEM

Front Connection

ProVantage™ plow system allows you to rapidly connect a plow to your vehicle with no more tools and no hassle. Plus, the mount is located at the front of the vehicle - no climbing under the vehicle to attach the plow

Blade Trip Feature

The plow blade trips forward when striking an immovable object, helping to protect the plow assembly from damage. WARN® plows lift up high to clear the tallest curbs



WARN™ ProVantage™ ATV PLOW SYSTEMS

CHOOSE A BLADE CHOOSE PLOW MOUNTING KIT ORDER A PLOW BASE ORDER BLADE RAISING MECHANISM

1. CHOOSE A PLOW



WARN® ProVantage™ TAPERED PLOW BLADES

- Tapered design with aggressively curved profile to move snow or dirt up and away from the surface you're clearing
- Made from thick 11-gauge steel with extra-heavy ribbing for added rigidity. Boxed design adds further support
- Special low-friction powder-coated finish helps keep material from sticking to the blade
- Thick, sturdy wear bar has steep angle of attack for maximum surfacing scraping

Description	P/N	Retail
54" Tapered Blade	37-4258	\$328.00
60" Tapered Blade	37-4259	383.00



WARN® ProVantage™ STRAIGHT PLOW BLADES

- Features heavy-duty ribbing and a center cross-member for added rigidity. Boxed design adds further support
- Special low-friction, powder-coated finish helps keep material from sticking to the blade
- Thick, sturdy wear bar has steep angle of attack for maximum surfacing scraping
- 54" and 60" blades are made from thick 12-gauge steel with top lips and pre-drilled holes for accessories. 17-3/4" blade height
- 50" blade is made from 14-gauge steel and has no lip. 16-3/4" blade height

Description	P/N	Retail
50" Straight Blade	37-4255	\$213.00
54" Straight Blade	37-4256	243.00
60" Straight Blade	37-4257	293.00



WARN® WEAR BARS

Size	Steel		Heavy-Duty Steel		Plastic	
	P/N	Retail	P/N	Retail	P/N	Retail
50"	37-4299	\$36.98	37-4405	\$68.00	37-4303	\$71.00
54"	56-0837	39.88	37-4406	68.00	56-0855	75.00
60"	56-0838	50.77	37-4407	68.00	56-0856	79.00



WARN® HEAVY-DUTY BLADE MOUNT

Description	P/N	Retail
Standard	37-4410	\$49.00
Offset	37-4411	49.00



WARN® PLOW SKIDS

Description	P/N	Retail
50" Standard	56-0858	\$28.00
54" & 60" Standard	37-4300	33.12
Heavy-Duty Skids	37-4409	49.00



- SPORT BODY
- BILLET ALUMINUM
- UTILITY BODY
- SEATS & GRAPHICS
- CONTROL
- FUEL & AIR
- ELECTRICAL
- TIRES
- TIRE/WHEEL KITS
- WHEELS
- BRAKE
- BELTS, CHAINS & SPROCKETS
- DRIVE
- SUSPENSION
- BEARINGS
- EXHAUST
- HARD & SOFT LUGGAGE
- HUNTING
- AG & FARMING
- PLOW
- WINCH
- UTV
- ENGINE
- GENERAL ACCESSORIES
- RAMPS & TIEDOWNS
- CHEMICAL
- TOOLS & SUPPLIES
- DISPLAY & PROMO
- CROSS REFERENCE

2. CHOOSE A PLOW MOUNTING KIT

WARN® MOUNTING KITS FOR PLOW SYSTEMS

	Year	Center Mount	Retail	Front Mount	Retail
SPORT BODY					
BILLET ALUMINUM					
UTILITY BODY					
SEATS & GRAPHICS					
CONTROL					
FUEL & AIR					
ELECTRICAL					
TIRES					
TIRE/WHEEL KITS					
WHEELS					
BRAKE					
BELTS, CHAINS & SPROCKETS					
DRIVE					
SUSPENSION					
BEARINGS					
EXHAUST					
HARD & SOFT LUGGAGE					
HUNTING					
AG & FARMING					
PLOW					
WINCH					
UTV					
ENGINE					
GENERAL ACCESSORIES					
RAMPS & TIEDOWNS					
CHEMICAL					
TOOLS & SUPPLIES					
DISPLAY & PROMO					
CROSS REFERENCE					
ARCTIC CAT					
366 4x4 Auto	08-11	37-4388	\$74.00		
375 Auto 2x4, 4x4	2002	56-1069	74.00	37-4376	\$132.00
400 2x4, 4x4	98-01	56-1070	74.00		
400 2x4	03-04	56-1069	74.00	37-4376	132.00
400 4x4	2002	56-1069	74.00		
400 4x4	03-08	56-1069	74.00	37-4376	132.00
400 Auto 2x4	03-04	56-1069	74.00	37-4376	132.00
400 Auto 4x4	03-08	56-1069	74.00	37-4376	132.00
400 Auto ACT 4x4	03-04	56-1069	74.00	37-4376	132.00
400 Auto LE 4x4	05-07	56-1069	74.00	37-4376	132.00
400/500 Auto MRP 4x4	2003	56-1069	74.00	37-4376	132.00
400 Auto TBX 4x4	04-06	56-1069	74.00	37-4376	132.00
400 Auto VP 4x4	2005	56-1069	74.00	37-4376	132.00
400i 2x4, 4x4	2002	56-1069	74.00	37-4376	132.00
400 VP 4x4	05-06	56-1069	74.00	37-4376	132.00
400 Auto TRV 4x4	07-09	56-1069	74.00	37-4376	132.00
450 4x4	2011	56-1069	74.00	37-4376	132.00
450 LTD 4x4	2011	56-1069	74.00	37-4376	132.00
450 TRV 4x4	2011	56-1069	74.00	37-4376	132.00
454 Bear Cat 4x4	96-98	56-1070	74.00		
500 4x4	98-01	56-1070	74.00		
500 4x4	05-09	56-1069	74.00	37-4376	132.00
500 Auto 4x4	00-01	56-1071	74.00		
500 4x4, Auto 4x4	02-04	56-1069	74.00	37-4376	132.00
500 4x4	05-09	56-1069	74.00	37-4376	132.00
500 Auto 4x4	05-08	56-1069	74.00	37-4376	132.00
500 Auto LE 4x4	05-06	56-1069	74.00	37-4376	132.00
500 Auto M4 4x4	2008	56-1069	74.00	37-4376	132.00
500 Auto TBX 4x4	02-06	56-1069	74.00	37-4376	132.00
500 Auto TRV 4x4	04-08	56-1069	74.00	37-4376	132.00
500i Auto 4x4	2002	56-1069	74.00	37-4376	132.00
500 H1 EFI	2009	56-1069	74.00	37-4376	132.00
500 H1 4x4, H1 LE 4x4	09-11	56-1069	74.00	37-4376	132.00
550 H1 TRV 4x4, H1 TRV LE 4x4	2009			37-4376	132.00
550 LTD 4x4	2011	56-1069	74.00	37-4376	132.00
550 S 4x4	2011	56-1069	74.00	37-4376	132.00
550 TRV Cruiser (GT) 4x4	2011	56-1069	74.00	37-4376	132.00
650 4x4, LE 4x4	2005	56-1069	74.00	37-4376	132.00
650 4x4	2004	56-1069	74.00	37-4376	132.00
650 H1 4x4	05-11	56-1069	74.00	37-4376	132.00
650 H1 TRV 4x4	08-09	56-1069	74.00	37-4376	132.00
650 H1 LE 4x4	2007	56-1069	74.00	37-4376	132.00
650 V2 4x4	05-06	56-1069	74.00	37-4376	132.00
650 V2 LE 4x4	2005	56-1069	74.00	37-4376	132.00
650 V2 LE TS 4x4	2006	56-1069	74.00	37-4376	132.00
650 TBX 4x4	2009	56-1069	74.00	37-4376	132.00
650 TBX H1 4x4	2007	56-1069	74.00	37-4376	132.00
700 EFI 4x4, EFI LE 4x4	2007	56-1069	74.00	37-4376	132.00
700 EFI 4x4, EFI M4 4x4, LE 4x4	2008	56-1069	74.00	37-4376	132.00
700 H1 4x4, LE 4x4, H1 TRV 4x4, LE TRV 4x4	09-11	56-1069	74.00	37-4376	132.00
700 H1 EFI SE 4x4	08-09	56-1069	74.00	37-4376	132.00
700 H1 TRV Cruiser 4x4	10-11	56-1069	74.00	37-4376	132.00
700 Diesel 4x4	2008	56-1069	74.00	37-4376	132.00
700 Mud Pro H1 EDI 4x4	09-10	56-1069	74.00		
700 TBX LTD 4x4	2011	56-1069	74.00	37-4376	132.00
700 S 4x4	2011	56-1069	74.00	37-4376	132.00
700 Super Duty Diesel 4x4	2011	56-1069	74.00	37-4376	132.00
700 Mud Pro 4x4	2011	56-1069	74.00	37-4376	132.00
1000 H2 TRV 4x4	09-10	56-1069	74.00	37-4376	132.00
1000 H2 TRV Cruiser 4x4	2010	56-1069	74.00	37-4376	132.00
1000 Thundercat H2 4x4	09-10	37-4304	74.00	37-4376	132.00
1000 Thundercat H2 LE 4x4	2010	37-4304	74.00	37-4376	132.00
1000 Mud Pro 4x4	2011	56-1069	74.00		
1000 TRV Cruiser 4x4	2011	56-1069	74.00	37-4376	132.00
Thundercat Auto SE 4x4	2008	37-4304	74.00	37-4376	132.00

¹ This kit requires using a WARN® ProVantage™ Plow Lift

⁴ Kit must be revision B2 for mid-05 and later

⁶ Use standard ProVantage™ Push Tube (ATV) 37-4260

2. CHOOSE A PLOW MOUNTING KIT, Cont.

BOMBARDIER/CAN AM	Year	Center Mount	Retail	Front Mount	Retail
Outlander 330 2x4, 4x4	03-05	56-1072	\$74.00		
Outlander 330 Max 4x4	2005	56-1072	74.00		
Outlander 400 2x4	03-04	56-1072	74.00		
Outlander 400 4x4	03-mid 06	56-1072	74.00		
Outlander 400 4x4 XT	03-mid 06	56-1072	74.00		
Outlander 400 MAX 4x4	03-mid 06	56-1072	74.00		
Outlander 400 MAX 4x4 XT	03-mid 06	56-1072	74.00		
Outlander 400 4x4, MAX 4x4	mid 06-11	37-4063	74.00	37-4271	\$132.00
Outlander 400 XT 4x4, MAX XT 4x4	mid 06-11	37-4063	74.00	37-4271	132.00
Outlander 500 4x4, MAX 4x4	07-08	37-4063	74.00	37-4271	132.00
Outlander 500 XT 4x4, MAX XT 4x4	07-11	37-4063	74.00	37-4271	132.00
Outlander 500 Max LTD 4x4	2010	37-4063	74.00	37-4271	132.00
Outlander 650 4x4, MAX 4x4	06-11	37-4063	74.00	37-4271	132.00
Outlander 650 XT 4x4, MAX XT 4x4	06-11	37-4063	74.00	37-4271	132.00
Outlander 650 MAX XT-P 4x4	2011	37-4063	74.00	37-4271	132.00
Outlander 800 4x4, MAX 4x4	06-08	37-4063	74.00	37-4271	132.00
Outlander 800R 4x4, MAX 4x4	09-11	37-4063	74.00	37-4271	132.00
Outlander 800 XT 4x4, MAX XT 4x4	06-08	37-4063	74.00	37-4271	132.00
Outlander 800R XT 4x4, MAX XT 4x4	09-11	37-4063	74.00	37-4271	132.00
Outlander 800 LTD.	2007	37-4063	74.00	37-4271	132.00
Outlander 800 MAX LTD.	07-08	37-4063	74.00	37-4271	132.00
Outlander 800R MAX LTD.	09-10	37-4063	74.00	37-4271	132.00
Quest 500 4x4	01-04	56-1073	74.00		
Quest 500 XL 4x4	2002	56-1073	74.00		
Quest 650 4x4	01-04	56-1073	74.00		
Quest 650 MAX 4x4	2004	56-1073	74.00		
Quest 650 XL 4x4	2002	56-1073	74.00		
Quest 650 XT 4x4	01-04	56-1073	74.00		
Traxter 2x4	01-03	56-1073	74.00		
Traxter 4x4	99-04	56-1073	74.00		
Traxter 500 Auto 4x4, Auto CVT 4x4	2005	56-1073	74.00		
Traxter 500 Auto XT 4x4	2005	56-1073	74.00		
Traxter 650 Auto CVT 4x4	2005	56-1073	74.00		
Traxter 650 Auto CVT XT 4x4	2005	56-1073	74.00		
Traxter MAX 4x4	03-04	56-1073	74.00		
Traxter MAX 500 Auto 4x4	2005	56-1073	74.00		
Traxter MAX 500 Auto XT 4x4	2005	56-1073	74.00		
Traxter MAX 650 Auto CVT 4x4	2005	56-1073	74.00		
Traxter MAX 650 Auto CVT XT 4x4	2005	56-1073	74.00		
Traxter XL 4x4	01-04	56-1073	74.00		
Traxter XL 500 4x4	2005	56-1073	74.00		
Traxter XT 4x4	00-04	56-1073	74.00		

HONDA					
300 (TRX300FW) 4x4	93-00	56-1075	\$74.00		
Foreman (TRX400FW) 4x4	95-03	56-1076	74.00		
Foreman S (TRX450S) 4x4, (TRX450FM) 4x4	98-04	56-1077	74.00		
Foreman ES (TRX450ES) 4x4, (TRX450FE) 4x4	98-04	56-1077	74.00		
Foreman (TRX500TM) 2x4, (TRX500FM) 4x4	05-06	37-4017	74.00		
Foreman (TRX500TM) 2x4	07-09	37-4017	74.00		
Foreman (TRX500FM) 4x4	07-10	37-4017	74.00	37-4272	\$132.00
Foreman (TRX500FPM) 4x4	07-09	37-4017	74.00	37-4272	132.00
Foreman ES (TRX500FE) 4x4	05-06	37-4017	74.00		
Foreman ES (TRX500FE) 4x4	07-09	37-4017	74.00	37-4272	132.00
Foreman ES (TRX500FPE) 4x4	08-09	37-4017	74.00	37-4272	132.00
Rancher (TRX350FM) 4x4	00-06	56-1078	74.00		
Rancher ES (TRX350FE) 4x4	00-06	56-1078	74.00		
Rancher AT (TRX400FA) 4x4, (TRX400FG) 4x4	04-07	56-1078	74.00	37-4273	132.00
Rancher AT GPScape (TRX400FGA) 4x4	2007	56-1078	74.00	37-4273	132.00
Rancher AT (TRX420FA), AT EPS (TRX420FPA)	09-10	37-4196	74.00	37-4273	132.00
Rancher (TRX420TM) 2x4	07-10	37-4196	74.00		
Rancher (TRX420FM) 4x4	07-10	37-4196	74.00	37-4273	132.00
Rancher ES (TRX420TE) 2x4	07-10	37-4196	74.00		
Rancher ES (TRX420FE) 4x4	07-10	37-4196	74.00	37-4273	132.00
Rancher ES (TRX420FPM) 4x4, (TRX420FPE) 4x4	09-10	37-4196	74.00	37-4273	132.00
Rubicon (TRX500FA) 4x4	00-04	56-1080	74.00	37-4274	132.00
Rubicon (TRX500FA) 4x4, (TRX500FG) 4x4	05-06	37-4017	74.00	37-4272	132.00

¹ This kit requires using a WARN® ProVantage™ Plow Lift

⁴ Kit must be revision B2 for mid-05 and later

⁶ Use standard ProVantage™ Push Tube (ATV) 37-4260

SEE CATALOG UPDATES AT **TR DEALER.COM**

- SPORT BODY
- BILLET ALUMINUM
- UTILITY BODY
- SEATS & GRAPHICS
- CONTROL
- FUEL & AIR
- ELECTRICAL
- TIRES
- TIRE/WHEEL KITS
- WHEELS
- BRAKE
- BELTS, CHAINS & SPROCKETS
- DRIVE
- SUSPENSION
- BEARINGS
- EXHAUST
- HARD & SOFT LUGGAGE
- HUNTING
- AG & FARMING
- PLOW
- WINCH
- UTV
- ENGINE
- GENERAL ACCESSORIES
- RAMPS & TIEDOWNS
- CHEMICAL
- TOOLS & SUPPLIES
- DISPLAY & PROMO
- CROSS REFERENCE

2. CHOOSE A PLOW MOUNTING KIT, Cont.

- SPORT BODY
- BILLET ALUMINUM
- UTILITY BODY
- SEATS & GRAPHICS
- CONTROL
- FUEL & AIR
- ELECTRICAL
- TIRES
- TIRE/WHEEL KITS
- WHEELS
- BRAKE
- BELTS, CHAINS & SPROCKETS
- DRIVE
- SUSPENSION
- BEARINGS
- EXHAUST
- HARD & SOFT LUGGAGE
- HUNTING
- AG & FARMING
- PLOW
- WINCH
- UTV
- ENGINE
- GENERAL ACCESSORIES
- RAMPS & TIEDOWNS
- CHEMICAL
- TOOLS & SUPPLIES
- DISPLAY & PROMO
- CROSS REFERENCE

HONDA Cont.	Year	Center Mount	Retail	Front Mount	Retail
Rubicon (TRX500FA) 4x4, (TRX500FG) 4x4	07-10	37-4017	\$74.00	37-4272	\$132.00
Rubicon GPScape (TRX500FGA) 4x4	2007	37-4017	74.00		
Rubicon GPScape (TRX500FGA) 4x4	2008	37-4017	74.00	37-4272	132.00
Rubicon GPScape EPS (TRX500FPA) 4x4	2009	37-4017	74.00	37-4272	132.00
Rincon (TRX650FA) 4x4, (TRX680FA) 4x4	03-10	56-1079	74.00	37-4274	132.00
Rincon GPScape (TRX680FGA) 4x4	07-09	56-1079	74.00	37-4274	132.00
KAWASAKI					
Bayou 300 4x4	89-02	56-1081	\$74.00		
Bayou 400 4x4	93-99	56-1082	74.00		
Brute Force 650 4x4	05-11	56-1084	74.00	37-4318	\$132.00
Brute Force 650 4x4i	05-11	37-4040	74.00	37-4319	132.00
Brute Force 750 4x4i	05-07	37-4040	74.00	37-4319	132.00
Brute Force 750 4x4i	08-12	37-4040	74.00	37-4276	132.00
Prairie 300 2x4, 4x4	99-02	56-1083	74.00		
Prairie 360 2x4, 4x4	02-11	56-1084	74.00	37-4275	132.00
Prairie 400 2x4	97-02	56-1083	74.00		
Prairie 400 4x4	97-02	56-1083	74.00		
Prairie 650 Twin 4x4	01-03	56-1084	74.00		
Prairie 700 4x4	04-06	56-1084	74.00		
KYMCO					
MXU375 IRS 4x4	09-10	37-4385	\$74.00	37-4386	\$132.00
KUBOTA					
RTV500	09-10			37-4373^c	\$201.00
POLARIS					
ATP 330 4x4	04-05	56-1085	\$74.00		
ATP 500 H.O. 4x4	04-05	56-1085	74.00		
Big Boss 400L 6x6	93-99	56-1086	74.00		
Magnum 325 4x4	00-01	56-1087	74.00		
Magnum 325 4x4	2002	56-1085	74.00		
Magnum 330 4x4	03-06	56-1085	74.00		
Magnum 425 4x4	93-98	56-1088	74.00		
Magnum 425 6x6	93-97	56-1088	74.00		
Magnum 500 4x4	99-01	56-1087	74.00		
Magnum 500 4x4	2002	56-1085	74.00		
Sportsman 300, 400 4x4	08-10	37-4292	74.00	37-4327	\$132.00
Sportsman 335 4x4	98-00	56-1089^a	74.00		
Sportsman 400 4x4	96-97	56-1088	74.00		
Sportsman 400 4x4	01-03	56-1089^a	74.00		
Sportsman 400 4x4	04-04-1/2	56-1089^a	74.00		
Sportsman 400 4x4	04-1/2-07	56-1089^a	74.00		
Sportsman 500 4x4	96-04-1/2	56-1089^a	74.00		
Sportsman 500 4x4	04-1/2-07	56-1089^a	74.00	37-4326	132.00
Sportsman 500 4x4	08-10			37-4326	132.00
Sportsman 500 DUSE 4x4, RSE 4x4	01-02	56-1089^a	74.00		
Sportsman 500 Remington 4x4	2000	56-1089^a	74.00		
Sportsman 500 X2 4x4	07-09	37-4302	74.00	37-4326	132.00
Sportsman 500 Touring 4x4	09-10	37-4302	74.00	37-4326	132.00
Sportsman 550 4x4, EPS 4x4	10-11	37-4301	74.00	37-4277	132.00
Sportsman 550 Touring EPS 4x4	2010	37-4301	74.00	37-4277	132.00
Sportsman 550 XP 4x4	2010	37-4301	74.00	37-4277	132.00
Sportsman 550 XP EPS 4x4	09-10	37-4301	74.00	37-4277	132.00
Sportsman 550 X2 4x4	10-11			37-4277	132.00
Sportsman 600 Twin 4x4	03-05	56-1090	74.00		
Sportsman 700 Twin 4x4	02-06	56-1090	74.00		
Sportsman 700 Twin 4x4	07-08			37-4278	132.00
Sportsman 700 X2 4x4	2008	37-4302	74.00		
Sportsman 800 4x4	05-06	56-1090	74.00		
Sportsman 800 4x4	2008			37-4278	132.00
Sportsman 800 4x4	09-10	37-4302	74.00	37-4278	132.00
Sportsman 800 X2 4x4	2009	37-4302	74.00		
Sportsman 800 Touring 4x4	08-09	37-4302	74.00	37-4278	132.00

¹ This kit requires using a WARN® ProVantage™ Plow Lift

⁴ Kit must be revision B2 for mid-05 and later

⁶ Use standard ProVantage™ Push Tube (ATV) 37-4260

SPORT BODY

BILLET ALUMINUM

UTILITY BODY

SEATS & GRAPHICS

CONTROL

FUEL & AIR

ELECTRICAL

TIRES

TIRE/WHEEL KITS

WHEELS

BRAKE

BELTS, CHAINS & SPROCKETS

DRIVE

SUSPENSION

BEARINGS

EXHAUST

HARD & SOFT LUGGAGE

HUNTING

AG & FARMING

PLOW

WINCH

UTV

ENGINE

GENERAL ACCESSORIES

RAMPS & TIEDOWNS

CHEMICAL

TOOLS & SUPPLIES

DISPLAY & PROMO

CROSS REFERENCE

921

2. CHOOSE A PLOW MOUNTING KIT, Cont.

POLARIS Cont.	Year	Center Mount	Retail	Front Mount	Retail
Sportsman 800 Big Boss 6x6	09-10			37-4278	\$132.00
Sportsman 850 Touring EPS 4x4	10-11			37-4277	132.00
Sportsman 850 XP 4x4	09-11	37-4301	\$74.00	37-4277	132.00
Sportsman 850 XP EPS 4x4	09-11	37-4301	74.00	37-4277	132.00
Xpedition 425 4x4	00-03	56-1087	74.00		
Xplorer 300, 400 4x4	97-98	56-1091	74.00		
Xplorer 300 4x4	1999	56-1092	74.00		
Xplorer 400 4x4	99-02	56-1092	74.00		
Ranger 800 RZR 4x4	08-11			37-4287⁶	201.00
Ranger 800 RZR S 4x4	09-11			37-4287⁶	201.00

SUZUKI

Eiger 400 (LT-A400) 2x4, (LT-F400) 2x4	02-04	56-1093	\$74.00		
Eiger 400 (LT-A400F) 4x4, (LT-F400F) 4x4	02-06	56-1093	74.00		
King Quad 300 (LT-F300F) 4x4	93-03	56-1094¹	74.00		
King Quad 400 AS, FS 4x4	08-10	56-1093	74.00	37-4280	\$132.00
King Quad 400 ASi, FSi 4x4	2011	56-1093	74.00	37-4280	132.00
King Quad 450 4x4	07-08	37-4018	74.00	37-4279	132.00
King Quad 450 AXi PS 4x4	09-10	37-4018	74.00	37-4279	132.00
King Quad 500 AXi PS 4x4	09-11	37-4018	74.00	37-4279	132.00
King Quad 700 4x4	05-07	37-4018	74.00	37-4279	132.00
King Quad 750 AXi 4x4	08-09	37-4018	74.00	37-4279	132.00
King Quad 750 AXi PS 4x4	2011	37-4018	74.00	37-4279	132.00
Quad Master 500 (LT-A500F) 4x4	00-01	56-1095	74.00		
Quad Runner 500 (LT-F500F) 4x4	98-03	56-1095	74.00		
Twin Peaks 700 4x4	04-05	56-1084	74.00		
Vinson 500 (LT-A500F) 4x4	02-06	56-1096	74.00		
Vinson 500 (LT-F500F) 4x4	03-05	56-1096	74.00		

YAMAHA

Big Bear 350 2x4, 4x4	97-99	56-1097	\$74.00		
Big Bear 400 2x4	00-04	56-1098	74.00		
Big Bear 400 4x4	00-07	56-1098	74.00		
Big Bear 400 4x4	08-11	56-1098	74.00	37-4387	\$132.00
Big Bear Professional 4x4	00-01	56-1099	74.00		
Big Bear SE 350 4x4	96-99	56-1099	74.00		
Bruin 350 Auto 2x4, 4x4	04-06	56-0824	74.00		
Grizzly 350 Auto 2x4	08-10	56-0824	74.00	37-4317	132.00
Grizzly 350 Auto, Auto IRS 4x4	07-11	56-0824	74.00	37-4317	132.00
Grizzly 400 Auto 4x4	05-09	56-0824	74.00	37-4284	132.00
Grizzly 450 Auto 2x4	09-11	56-0824	74.00	37-4284	132.00
Grizzly 450 Auto 4x4	05-08	56-0824	74.00	37-4284	132.00
Grizzly 550 4x4	09-11	37-4098	74.00	37-4283	132.00
Grizzly 550 EPS 4x4	09-11	37-4098	74.00	37-4283	132.00
Grizzly 600 4x4	1998	56-0825	74.00		
Grizzly 600 4x4	99-01	56-0826	74.00		
Grizzly 660 Auto 4x4	02-08	56-0827	74.00	37-4282	132.00
Grizzly 700 4x4	2007	37-4098	74.00		
Grizzly 700 4x4	08-11	37-4098	74.00	37-4283	132.00
Grizzly 700 EPS 4x4	08-11	37-4098	74.00	37-4283	132.00
Grizzly 700 FI Auto EPS SE 4x4	2011	37-4098	74.00	37-4283	132.00
Kodiak 350 Auto, Auto IRS 4x4	07-11	56-0824	74.00	37-4317	132.00
Kodiak 400 Auto 4x4	96-98	56-1099	74.00		
Kodiak 400 Auto 4x4	1999	56-1097	74.00		
Kodiak 400 Auto 4x4	00-02	56-0828	74.00		
Kodiak 400 Auto 2x4	03-04	56-0824	74.00		
Kodiak 400 Auto 4x4	03-04	56-0824	74.00	37-4317	132.00
Kodiak 400 Auto 4x4	05-09	56-0824	74.00	37-4284	132.00
Kodiak 450 Auto 4x4	03-04	56-0824	74.00		
Kodiak 450 Auto 4x4	05-08	56-0824	74.00	37-4284	132.00
Wolverine 4x4	95-04	56-0829	74.00		
Wolverine 450 4x4	06-09	37-4071	74.00		

¹ This kit requires using a WARN® ProVantage™ Plow Lift

⁴ Kit must be revision B2 for mid-05 and later

⁶ Use standard ProVantage™ Push Tube (ATV) 37-4260

SPORT BODY

BILLET ALUMINUM

UTILITY BODY

SEATS & GRAPHICS

CONTROL

FUEL & AIR

ELECTRICAL

TIRES

TIRE/WHEEL KITS

WHEELS

BRAKE

BELTS, CHAINS & SPROCKETS

DRIVE

SUSPENSION

BEARINGS

EXHAUST

HARD & SOFT LUGGAGE

HUNTING

AG & FARMING

PLOW

WINCH

UTV

ENGINE

GENERAL ACCESSORIES

RAMPS & TIEDOWNS

CHEMICAL

TOOLS & SUPPLIES

DISPLAY & PROMO

CROSS REFERENCE

3. ORDER A PLOW BASE



WARN® PLOW BASE/PUSH TUBE ASSEMBLY

- Features an extra-wide design for increased stability and durability
- The blade trip system enables the blade to trip forward when striking an immovable object
- Designed with an interlocked rotating base for great strength, outstanding durability and excellent impact resistance

Description	P/N	Retail
ProVantage™ Front Mount Plow Base, for Front Mounting Kits	37-4260	\$174.00
Center Mount Plow Base for use with Center Mounting Kits	37-4261	189.00
Accessories		
ProVantage™ Plow Lift Extender Bracket	37-4313	\$36.00

See Power Pivot ON PAGE

929



4. ORDER BLADE RAISING MECHANISM



WARN® ROLLER FAIRLEAD FOR PLOW LIFTING

- Designed for use with winches that raise and lower the ATV plow blade
- Larger diameter lower roller reduces wear on ropes



Description	P/N	Retail
Standard	37-4033	\$49.00
RT/XT 40	37-4341	59.00



WARN® PROVANTAGE PLOW LIFT

- Offers low amp draw
- Auto shut off feature
- Universal fit
- A screw drive system to keep you plowing all season long

37-4391 \$279.00

Replacement Linear Actuator 37-4392 \$184.00

WARN® XT WINCH LINE

- An excellent choice if you want a multi-use piece of equipment
- For durability with the winch, the WARN® synthetic rope and/or plow roller fairlead is strongly recommended

Description	P/N	Retail
WARN® XT15 Winch	37-4171	\$399.00
WARN® XT25 Winch	37-4173	489.00
WARN® XT30 Winch	37-4175	699.00
WARN® XT40 Winch	37-4203	859.00

WARN® ProVantage™ SIDE X SIDE PLOW SYSTEM

PLOW



WARN® ProVantage™ SIDE X SIDE PLOW SYSTEM

- Same rapid connection system as the ATV system
- Uses a big Side X Side specific 72" plow blade
- Just add Side X Side Plow Base, your Side X Side mounting kit, choice of raising mechanisms, pick your accessories and you're ready to get to work

Description	P/N	Retail
72" Straight Plow Blade	37-4263	\$409.00
Standard Side X Side Plow Base	37-4264	389.00
Steel Wear Bar 72"	37-4094	101.58
Heavy-Duty Steel Wear Bar	37-4408	78.00
Raising Mechanisms		
WARN® XT30 Winch	37-4175	\$699.00
WARN® XT40 Winch	37-4203	859.00
Roller Fairlead RT/XT40	37-4341	59.00

WARN® ProVantage™ PLOW SERVICE PARTS

Description	P/N	Retail
3/8" Safety Retaining Pin (2 Retaining Pins)	37-4347	\$14.80
Spring ProVantage™ Plow (2 Springs, Plates, Fasteners)	37-4348	29.50
Latch Base UTV ProVantage™ Plow (Plow Base Latch, Spring and Fastener)	37-4349	27.32
Bushing ProVantage™ Plow (Pair of Bushings and Fasteners)	37-4350	44.50

Plow Mount Kits

ARCTIC CAT	Year	Front Mount	Retail
Prowler 650 H1 XT 4x4	08-09	37-4377	\$201.00
Prowler 700 XT 4x4	2009	37-4377	201.00
Prowler 700 XTX 4x4	09-10	37-4377	201.00
Prowler 700 XTX LE 4x4	08-09	37-4377	201.00
CAN-AM			
Commander 800R, XT, 1000X, XT	2011	37-4426	\$201.00
HONDA			
MUV700 Big Red	08-11	37-4285	\$201.00
KAWASAKI			
750 Teryx 4x4	08-11	37-4286	\$201.00
750 Teryx LE 4x4	08-11	37-4286	201.00
750 Teryx Sport 4x4	09-11	37-4286	201.00
Mule 4010	09-11	37-4372	201.00
POLARIS			
Ranger 500 4x4	2008	37-4320	\$201.00
Ranger 500 4x4	09-10	37-4288	201.00
Ranger 700 4x4	05-08	37-4320	201.00
Ranger 700 HD 4x4	2009	37-4288	201.00
Ranger 700 XP 4x4	2008	37-4320	201.00
Ranger 700 XP 4x4	2009	37-4288	201.00
Ranger 700 6x6	07-09	37-4320	201.00
Ranger 800 XP 4x4, XP EPS 4x4	10-11	37-4288	201.00
Ranger 800 XP Browning 4x4	10-11	37-4288	201.00
Ranger 800 Crew 4x4, HD 4x4	10-11	37-4288	201.00
Ranger 800 6x6	10-11	37-4288	201.00
Ranger 6x6	02-06	37-4320	201.00
YAMAHA			
Rhino 450 4x4	08-10	37-4289¹	\$201.00
Rhino 700 4x4	08-11	37-4289¹	201.00
Rhino Sport 4x4	2011	37-4289¹	201.00
Rhino 700 DU 4x4, SE 4x4, Sport 4x4	10-11	37-4289¹	201.00

¹ Not compatible with WARN® Bumper

Description	P/N	Retail
Stop Block with Spring Hanger ProVantage™ Plow (Pair of Stop Blocks, Pair of Spring Hangers and Fasteners)	37-4351	\$35.00
Rope Guide ProVantage™ Plow (Rope Guide, Retaining Clip and Fastener)	37-4352	18.85
Hardware Attach ProVantage™ Plow (Pair of Blade StopS, Pair of Blade Bushings, Fasteners)	37-4353	17.85
Latch Base ATV ProVantage™ Plow (Plow Base Latch, Spring and Fastener)	37-4354	21.50
Plate Swivel ATV ProVantage™ Plow (Plow Base Bushing, Top Plate and Fasteners)	37-4355	99.99

SEE CATALOG UPDATES AT **TR DEALER.COM**

PLOW

- SPORT BODY
- BILLET ALUMINUM
- UTILITY BODY
- SEATS & GRAPHICS
- CONTROL
- FUEL & AIR
- ELECTRICAL
- TIRES
- TIRE/WHEEL KITS
- WHEELS
- BRAKE
- BELTS, CHAINS & SPROCKETS
- DRIVE
- SUSPENSION
- BEARINGS
- EXHAUST
- HARD & SOFT LUGGAGE
- HUNTING
- AG & FARMING
- PLOW**
- WINCH
- UTV
- ENGINE
- GENERAL ACCESSORIES
- RAMPS & TIEDOWNS
- CHEMICAL
- TOOLS & SUPPLIES
- DISPLAY & PROMO
- CROSS REFERENCE

- SPORT BODY
- BILLET ALUMINUM
- UTILITY BODY
- SEATS & GRAPHICS
- CONTROL
- FUEL & AIR
- ELECTRICAL
- TIRES
- TIRE/WHEEL KITS
- WHEELS
- BRAKE
- BELTS, CHAINS & SPROCKETS
- DRIVE
- SUSPENSION
- BEARINGS
- EXHAUST
- HARD & SOFT LUGGAGE
- HUNTING
- AG & FARMING
- PLOW**
- WINCH
- UTV
- ENGINE
- GENERAL ACCESSORIES
- RAMPS & TIEDOWNS
- CHEMICAL
- TOOLS & SUPPLIES
- DISPLAY & PROMO
- CROSS REFERENCE

WARN PLOW SYSTEMS

CHOOSE A BLADE ORDER A PLOW BASE CHOOSE A BLADE RAISING MECHANISM PICK THE MOUNTING KIT



Standard Plow Blades



WARN® ATV PLOW SYSTEMS

- Built to push snow, leaves, gravel and feed around
- High strength-to-weight ratio minimizes effect on handling of ATV
- Plow can be removed or switched to another ATV in seconds with the quick-release design
- Unlike other plows, which use a single pivot bolt, plows rotate on a 6" diameter bushing plate. Shock loads are distributed across the entire plate rather than concentrated in a small area. This results in long life and increased performance
- 5-position blade quickly adjusts without tools. Blade is adjustable 25° to either side
- Blade pivots forward when striking an unmoveable object, helping to protect the plow assembly from damage
- Large diameter blade trip-springs and robust 1-1/2" bushings are designed to provide years of service
- Thick blade ribs tie into a boxed blade support, providing maximum structural support
- Engineered plow design provides strength and durability while also minimizing weight—the result is a better handling ATV
- Wear bar provides 1" of wear before needing replacement. The bar for the 60" blade is reversible - providing double the wear material

- Long lasting, heavy-duty gravel skids are adjustable with quick-release pins, no tools required
- The plow has up to 11-1/2" rise with a winch lift - high enough for the tallest curbs
- Standard blades are made from 14-gauge, high-strength, low-alloy steel with 3/16th outer blade ribs to provide superior strength and rigidity

1. CHOOSE A BLADE

Description	P/N	Retail
Plow Blade 48" Standard	37-4306	\$147.06
Plow Blade 54" Standard	37-4307	189.08
Plow Blade 60" Standard	37-4308	220.59



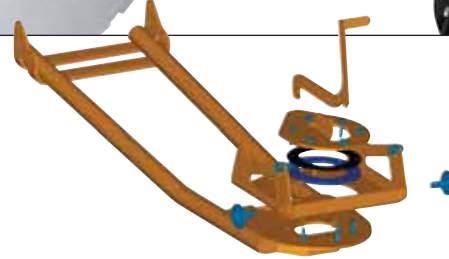
WARN® PLOW SYSTEMS, Cont.

2. ORDER A PLOW BASE

WARN® PLOW BASE FOR PLOW SYSTEMS

- Required to complete the WARN® Plow system

Description	P/N	Retail
Plow Base/Tube Assembly	37-4305	\$210.08



3. CHOOSE A BLADE RAISING MECHANISM

XT30
EXTREME TERRAIN



XT25
EXTREME TERRAIN



WARN® BLADE RAISING MECHANISMS FOR PLOW SYSTEMS

- Lift the plow with your WARN® Winch
- The plow has up to 11-1/2" rise with a winch lift -high enough for the tallest curbs

XT15, 25 or 30 Winch

- An excellent choice if you want a multi-use piece of equipment
- For durability with the winch, the WARN® synthetic rope and/or plow roller fairlead is strongly recommended

Description	P/N	Retail
WARN® XT15 Winch	37-4171	\$399.00
WARN® XT25 Winch	37-4173	489.00
WARN® XT30 Winch	37-4175	699.00



- SPORT BODY
- BILLET ALUMINUM
- UTILITY BODY
- SEATS & GRAPHICS
- CONTROL
- FUEL & AIR
- ELECTRICAL
- TIRES
- TIRE/WHEEL KITS
- WHEELS
- BRAKE
- BELTS, CHAINS & SPROCKETS
- DRIVE
- SUSPENSION
- BEARINGS
- EXHAUST
- HARD & SOFT LUGGAGE
- HUNTING
- AG & FARMING
- PLOW**
- WINCH
- UTV
- ENGINE
- GENERAL ACCESSORIES
- RAMPS & TIEDOWNS
- CHEMICAL
- TOOLS & SUPPLIES
- DISPLAY & PROMO
- CROSS REFERENCE



WARN® PLOW SYSTEMS, Cont.

4. PICK A MOUNTING KIT

WARN® MOUNTING KITS FOR PLOW SYSTEMS

- Plow bracket is mounted high on the frame and positioned near the front axle for better ground clearance and increased rigidity

	Year	P/N	Retail
ARCTIC CAT			
366 4x4 Auto	08-11	37-4388	\$74.00
375 Auto 2x4, 4x4	2002	56-1069	74.00
400 2x4, 4x4	98-01	56-1070	74.00
400 2x4	03-04	56-1069	74.00
400 4x4	2002	56-1069	74.00
400 4x4	03-08	56-1069	74.00
400 Auto 2x4	03-04	56-1069	74.00
400 Auto 4x4	03-08	56-1069	74.00
400 Auto ACT 4x4	03-04	56-1069	74.00
400 Auto LE 4x4	05-07	56-1069	74.00
400/500 Auto MRP 4x4	2003	56-1069	74.00
400 Auto TBX 4x4	04-06	56-1069	74.00
400 Auto VP 4x4	2005	56-1069	74.00
400i 2x4, 4x4	2002	56-1069	74.00
400 VP 4x4	05-06	56-1069	74.00
400 Auto TRV 4x4	07-09	56-1069	74.00
450 4x4	2011	56-1069	74.00
450 LTD 4x4	2011	56-1069	74.00
450 TRV 4x4	2011	56-1069	74.00
454 Bear Cat 4x4	96-98	56-1070	74.00
500 4x4	98-01	56-1070	74.00
500 4x4	05-09	56-1069	74.00
500 Auto 4x4	00-01	56-1071	74.00
500 4x4, Auto 4x4	02-04	56-1069	74.00
500 4x4	05-09	56-1069	74.00
500 Auto 4x4	05-08	56-1069	74.00
500 Auto LE 4x4	05-06	56-1069	74.00
500 Auto M4 4x4	2008	56-1069	74.00
500 Auto TBX 4x4	02-06	56-1069	74.00
500 Auto TRV 4x4	04-08	56-1069	74.00
500i Auto 4x4	2002	56-1069	74.00
500 H1 EFI	2009	56-1069	74.00
500 H1 4x4, H1 LE 4x4	09-11	56-1069	74.00
550 LTD 4x4	2011	56-1069	74.00
550 S 4x4	2011	56-1069	74.00
550 Cruiser TRV GT 4x4	2011	56-1069	74.00
650 4x4, LE 4x4	2005	56-1069	74.00
650 4x4	2004	56-1069	74.00
650 H1 4x4	05-11	56-1069	74.00
650 H1 TRV 4x4	08-09	56-1069	74.00
650 H1 LE 4x4	2007	56-1069	74.00
650 V2 4x4	05-06	56-1069	74.00
650 V2 LE 4x4	2005	56-1069	74.00
650 V2 LE TS 4x4	2006	56-1069	74.00
650 TBX 4x4	2009	56-1069	74.00
650 TBX H1 4x4	2007	56-1069	74.00
700 EFI 4x4, EFI LE 4x4	2007	56-1069	74.00
700 EFI 4x4, EFI M4 4x4, LE 4x4	2008	56-1069	74.00
700 H1 4x4, LE 4x4, H1 TRV 4x4, LE TRV 4x4	09-11	56-1069	74.00
700 H1 EFI SE 4x4	08-09	56-1069	74.00
700 H1 Cruiser TRV 4x4	10-11	56-1069	74.00
700 Diesel 4x4	2008	56-1069	74.00
700 Mudpro H1 EDI 4x4	09-10	56-1069	74.00
700 TBX LTD 4x4	2011	56-1069	74.00
700 S 4x4	2011	56-1069	74.00
700 Super Duty Diesel 4x4	2011	56-1069	74.00
700 Mud Pro 4x4	2011	56-1069	74.00
1000 H2 TRV 4x4	09-10	56-1069	74.00
1000 H2 Cruiser TRV 4x4	2010	56-1069	74.00

ARCTIC CAT Cont.	Year	P/N	Retail
1000 Thundercat H2 4x4	09-10	37-4304	\$74.00
1000 Thundercat H2 LE 4x4	2010	37-4304	74.00
1000 Mud Pro 4x4	2011	56-1069	74.00
1000 Cruiser TRV 4x4	2011	56-1069	74.00
Thundercat Auto SE 4x4	2008	37-4304	74.00

BOMBARDIER/CAN AM	Year	P/N	Retail
Outlander 330 2x4, 4x4	03-05	56-1072	\$74.00
Outlander 330 Max 4x4	2005	56-1072	74.00
Outlander 400 2x4	03-04	56-1072	74.00
Outlander 400 4x4	03-mid 06	56-1072	74.00
Outlander 400 4x4 XT	03-mid 06	56-1072	74.00
Outlander 400 MAX 4x4	03-mid 06	56-1072	74.00
Outlander 400 MAX 4x4 XT	03-mid 06	56-1072	74.00
Outlander 400 4x4, MAX 4x4	mid 06-11	37-4063	74.00
Outlander 400 XT 4x4, MAX XT 4x4	mid 06-11	37-4063	74.00
Outlander 500 4x4, MAX 4x4	07-08	37-4063	74.00
Outlander 500 XT 4x4, MAX XT 4x4	07-11	37-4063	74.00
Outlander 500 Max LTD 4x4	2010	37-4063	74.00
Outlander 650 4x4, MAX 4x4	06-11	37-4063	74.00
Outlander 650 XT 4x4, MAX XT 4x4	06-11	37-4063	74.00
Outlander 650 MAX XT-P 4x4	2011	37-4063	74.00
Outlander 800 4x4, MAX 4x4	06-08	37-4063	74.00
Outlander 800R 4x4, MAX 4x4	09-11	37-4063	74.00
Outlander 800 XT 4x4, MAX XT 4x4	06-08	37-4063	74.00
Outlander 800R XT 4x4, MAX XT 4x4	09-11	37-4063	74.00
Outlander 800 LTD.	2007	37-4063	74.00
Outlander 800 MAX LTD.	07-08	37-4063	74.00
Outlander 800R MAX LTD.	09-10	37-4063	74.00
Quest 500 4x4	01-04	56-1073	74.00
Quest 500 XL 4x4	2002	56-1073	74.00
Quest 650 4x4	01-04	56-1073	74.00
Quest 650 MAX 4x4	2004	56-1073	74.00
Quest 650 XL 4x4	2002	56-1073	74.00
Quest 650 XT 4x4	01-04	56-1073	74.00
Traxter 2x4	01-03	56-1073	74.00
Traxter 4x4	99-04	56-1073	74.00
Traxter 500 Auto 4x4, Auto CVT 4x4	2005	56-1073	74.00
Traxter 500 Auto XT 4x4	2005	56-1073	74.00
Traxter 650 Auto CVT 4x4	2005	56-1073	74.00
Traxter 650 Auto CVT XT 4x4	2005	56-1073	74.00
Traxter MAX 4x4	03-04	56-1073	74.00
Traxter MAX 500 Auto 4x4	2005	56-1073	74.00
Traxter MAX 500 Auto XT 4x4	2005	56-1073	74.00
Traxter MAX 650 Auto CVT 4x4	2005	56-1073	74.00
Traxter MAX 650 Auto CVT XT 4x4	2005	56-1073	74.00
Traxter XL 4x4	01-04	56-1073	74.00
Traxter XL 500 4x4	2005	56-1073	74.00
Traxter XT 4x4	00-04	56-1073	74.00

HONDA	Year	P/N	Retail
300 (TRX300FW) 4x4	93-00	56-1075	\$74.00
Foreman (TRX400FW) 4x4	95-03	56-1076	74.00
Foreman S (TRX450S) 4x4, (TRX450FM) 4x4	98-04	56-1077	74.00
Foreman ES (TRX450ES) 4x4, (TRX450FE) 4x4	98-04	56-1077	74.00
Foreman (TRX500TM) 2x4, (TRX500FM) 4x4	05-06	37-4017	74.00
Foreman (TRX500TM) 2x4	07-09	37-4017	74.00
Foreman (TRX500FM) 4x4	07-10	37-4017	74.00
Foreman (TRX500FPM) 4x4	07-09	37-4017	74.00

WARN® ATV PLOW SYSTEMS

PLOW

HONDA Cont.	Year	P/N	Retail
Foreman ES (TRX500FE) 4x4	05-06	37-4017	\$74.00
Foreman ES (TRX500FE) 4x4	07-09	37-4017	74.00
Foreman ES (TRX500FPE) 4x4	08-09	37-4017	74.00
Rancher (TRX350FM) 4x4	00-06	56-1078	74.00
Rancher ES (TRX350FE) 4x4	00-06	56-1078	74.00
Rancher AT (TRX400FA) 4x4, (TRX400FG) 4x4	04-07	56-1078	74.00
Rancher AT GPScape (TRX400FGA) 4x4	2007	56-1078	74.00
Rancher AT (TRX420FA), AT EPS (TRX420FPA)	09-10	37-4196	74.00
Rancher (TRX420TM) 2x4	07-10	37-4196	74.00
Rancher (TRX420FM) 4x4	07-10	37-4196	74.00
Rancher ES (TRX420TE) 2x4	07-10	37-4196	74.00
Rancher ES (TRX420FE) 4x4	07-10	37-4196	74.00
Rancher ES (TRX420FPM) 4x4, (TRX420FPE) 4x4	09-10	37-4196	74.00
Rubicon (TRX500FA) 4x4	00-04	56-1080	74.00
Rubicon (TRX500FA) 4x4, (TRX500FG) 4x4	05-06	37-4017	74.00
Rubicon (TRX500FA) 4x4, (TRX500FG) 4x4	07-10	37-4017	74.00
Rubicon GPScape (TRX500FGA) 4x4	2007	37-4017	74.00
Rubicon GPScape (TRX500FGA) 4x4	2008	37-4017	74.00
Rubicon GPScape EPS (TRX500FPA) 4x4	2009	37-4017	74.00
Rincon (TRX650FA) 4x4, (TRX680FA) 4x4	03-10	56-1079	74.00
Rincon GPScape (TRX680FGA) 4x4	07-09	56-1079	74.00

KAWASAKI	Year	P/N	Retail
Bayou 300 4x4	89-02	56-1081	\$74.00
Bayou 400 4x4	93-99	56-1082	74.00
Brute Force 650 4x4	05-11	56-1084	74.00
Brute Force 650 4x4i	05-11	37-4040	74.00
Brute Force 750 4x4i	05-12	37-4040	74.00
Prairie 300 2x4, 4x4	99-02	56-1083	74.00
Prairie 360 2x4, 4x4	02-11	56-1084	74.00
Prairie 400 2x4	97-02	56-1083	74.00
Prairie 400 4x4	97-02	56-1083	74.00
Prairie 650 Twin 4x4	01-03	56-1084	74.00
Prairie 700 4x4	04-06	56-1084	74.00

KYMCO	Year	P/N	Retail
MXU375 IRS 4x4	09-10	37-4385	\$74.00

POLARIS Cont.	Year	P/N	Retail
ATP 330 4x4	04-05	56-1085	\$74.00
ATP 500 H.O. 4x4	04-05	56-1085	74.00
Big Boss 400L 6x6	93-99	56-1086	74.00
Magnum 325 4x4	00-01	56-1087	74.00
Magnum 325 4x4	2002	56-1085	74.00
Magnum 330 4x4	03-06	56-1085	74.00
Magnum 425 4x4	93-98	56-1088	74.00
Magnum 425 6x6	93-97	56-1088	74.00
Magnum 500 4x4	99-01	56-1087	74.00
Magnum 500 4x4	2002	56-1085	74.00
Sportsman 300, 400 4x4	08-10	37-4292	74.00
Sportsman 335 4x4	98-00	56-1089⁴	74.00
Sportsman 400 4x4	96-97	56-1088	74.00
Sportsman 400 4x4	01-03	56-1089⁴	74.00
Sportsman 400 4x4	04-04-1/2	56-1089⁴	74.00
Sportsman 400 4x4	04-1/2-07	56-1089⁴	74.00
Sportsman 500 4x4	96-04-1/2	56-1089⁴	74.00
Sportsman 500 4x4	04-1/2-07	56-1089⁴	74.00
Sportsman 500 DUSE 4x4, RSE 4x4	01-02	56-1089⁴	74.00
Sportsman 500 Remington 4x4	2000	56-1089⁴	74.00
Sportsman 500 X2 4x4	07-09	37-4302	74.00
Sportsman 500 Touring 4x4	09-10	37-4302	74.00
Sportsman 550 4x4, EPS 4x4	10-11	37-4301	74.00
Sportsman 550 Touring EPS 4x4	2010	37-4301	74.00
Sportsman 550 XP 4x4	2010	37-4301	74.00
Sportsman 550 XP EPS 4x4	09-10	37-4301	74.00
Sportsman 600 Twin 4x4	03-05	56-1090	74.00
Sportsman 700 Twin 4x4	02-06	56-1090	74.00
Sportsman 700 X2 4x4	2008	37-4302	74.00

POLARIS Cont.	Year	P/N	Retail
Sportsman 800 4x4	05-06	56-1090	\$74.00
Sportsman 800 4x4	09-10	37-4302	74.00
Sportsman 800 X2 4x4	2009	37-4302	74.00
Sportsman 800 Touring 4x4	08-09	37-4302	74.00
Sportsman 850 XP 4x4	09-11	37-4301	74.00
Sportsman 850 XP EPS 4x4	09-11	37-4301	74.00
Xpedition 425 4x4	00-03	56-1087	74.00
Xplorer 300, 400 4x4	97-98	56-1091	74.00
Xplorer 300 4x4	1999	56-1092	74.00
Xplorer 400 4x4	99-02	56-1092	74.00

SUZUKI	Year	P/N	Retail
Eiger 400 (LT-A400) 2x4, (LT-F400) 2x4	02-04	56-1093	\$74.00
Eiger 400 (LT-A400F) 4x4, (LT-F400F) 4x4	02-06	56-1093	74.00
King Quad 300 (LT-F300F) 4x4	93-03	56-1094¹	74.00
King Quad 400 AS, FS 4x4	08-10	56-1093	74.00
King Quad 400 ASi, FSi 4x4	2011	56-1093	74.00
King Quad 450 4x4	07-08	37-4018	74.00
King Quad 450 AXi PS 4x4	09-10	37-4018	74.00
Quad Racer R450 (LT-R450) 2x4	2007	37-4018	74.00
King Quad 500 AXi PS 4x4	09-11	37-4018	74.00
King Quad 700 4x4	05-07	37-4018	74.00
King Quad 750 AXi 4x4	08-09	37-4018	74.00
King Quad 750 AXi PS 4x4	2011	37-4018	74.00
Quad Master 500 (LT-A500F) 4x4	00-01	56-1095	74.00
Quad Racer 500 (LT-F500F) 4x4	98-03	56-1095	74.00
Twin Peaks 700 4x4	04-05	56-1084	74.00
Vinson 500 (LT-A500F) 4x4	02-06	56-1096	74.00
Vinson 500 (LT-F500F) 4x4	03-05	56-1096	74.00

YAMAHA	Year	P/N	Retail
Big Bear 350 2x4, 4x4	97-99	56-1097	\$74.00
Big Bear 400 2x4	00-04	56-1098	74.00
Big Bear 400 4x4	00-07	56-1098	74.00
Big Bear 400 4x4	08-10	56-1098	74.00
Big Bear Professional 4x4	00-01	56-1099	74.00
Big Bear SE 350 4x4	96-99	56-1099	74.00
Bruin 350 Auto 2x4, 4x4	04-06	56-0824	74.00
Grizzly 350 Auto 2x4	08-10	56-0824	74.00
Grizzly 350 Auto, Auto IRS 4x4	07-11	56-0824	74.00
Grizzly 400 Auto 4x4	05-09	56-0824	74.00
Grizzly 450 Auto 2x4	09-11	56-0824	74.00
Grizzly 450 Auto 4x4	05-08	56-0824	74.00
Grizzly 550 4x4	09-11	37-4098	74.00
Grizzly 550 EPS 4x4	09-11	37-4098	74.00
Grizzly 600 4x4	1998	56-0825	74.00
Grizzly 600 4x4	99-01	56-0826	74.00
Grizzly 660 Auto 4x4	02-08	56-0827	74.00
Grizzly 700 4x4	2007	37-4098	74.00
Grizzly 700 4x4	08-11	37-4098	74.00
Grizzly 700 EPS 4x4	08-11	37-4098	74.00
Grizzly 700 Fi Auto EPS SE 4x4	2011	37-4098	74.00
Kodiak 350 Auto, Auto IRS 4x4	07-11	56-0824	74.00
Kodiak 400 Auto 4x4	96-98	56-1099	74.00
Kodiak 400 Auto 4x4	1999	56-1097	74.00
Kodiak 400 Auto 4x4	00-02	56-0828	74.00
Kodiak 400 Auto 2x4	03-04	56-0824	74.00
Kodiak 400 Auto 4x4	03-04	56-0824	74.00
Kodiak 400 Auto 4x4	05-09	56-0824	74.00
Kodiak 450 Auto 4x4	03-04	56-0824	74.00
Kodiak 450 Auto 4x4	05-08	56-0824	74.00
Wolverine 4x4	95-04	56-0829	74.00
Wolverine 450 4x4	06-09	37-4071	74.00

¹ This kit requires using a WARN® ProVantage™ Plow Lift

⁴ Kit must be revision B2 for mid-05 and later

- SPORT BODY
- BILLET ALUMINUM
- UTILITY BODY
- SEATS & GRAPHICS
- CONTROL
- FUEL & AIR
- ELECTRICAL
- TIRES
- TIRE/WHEEL KITS
- WHEELS
- BRAKE
- BELTS, CHAINS & SPROCKETS
- DRIVE
- SUSPENSION
- BEARINGS
- EXHAUST
- HARD & SOFT LUGGAGE
- HUNTING
- AG & FARMING
- PLOW
- WINCH
- UTV
- ENGINE
- GENERAL ACCESSORIES
- RAMPS & TIEDOWNS
- CHEMICAL
- TOOLS & SUPPLIES
- DISPLAY & PROMO
- CROSS REFERENCE

PLOW

- SPORT BODY
- BILLET ALUMINUM
- UTILITY BODY
- SEATS & GRAPHICS
- CONTROL
- FUEL & AIR
- ELECTRICAL
- TIRES
- TIRE/WHEEL KITS
- WHEELS
- BRAKE
- BELTS, CHAINS & SPROCKETS
- DRIVE
- SUSPENSION
- BEARINGS
- EXHAUST
- HARD & SOFT LUGGAGE
- HUNTING
- AG & FARMING
- PLOW**
- WINCH
- UTV
- ENGINE
- GENERAL ACCESSORIES
- RAMPS & TIEDOWNS
- CHEMICAL
- TOOLS & SUPPLIES
- DISPLAY & PROMO
- CROSS REFERENCE



WARN® ProVantage™ BUCKET CONVERSION KIT

- Turn your ProVantage™ plow blade into a powerful and versatile bucket loader with this easy-to-install conversion kit.
- With a 200 lb. capacity, the ability to move up to 5 cu. ft. of material and a 60° dump angle, you'll be able to get more done in less time.
- Durable unit is made from sturdy 14-gauge steel with added reinforcement.
- It's easy to use: The dump release is operable from the driver's seat and when you lower the bucket, it automatically resets to the ready position.

Description	P/N	Retail
50" Bucket Conversion Kit	37-4342	\$244.00
54" Bucket Conversion Kit	37-4343	244.00
60" Bucket Conversion Kit	37-4344	274.00



WARN® PLOW BLADE MARKERS

- 2 ft. high antenna
 - Red rubber tipped for visibility
 - Clearly mark the edge of plow blade, even in deep snow
 - Easy, bolt-on mounting
- 56-0850 \$29.00**

WARN® SNOW CONTROL FLAP

- Flexible rubber top flap
 - Controls snow kickback and keeps snow on the ground
 - Fits all WARN® ATV plows (cut to size)
- 56-0852 \$59.00**

WARN® BLADE SIDE WALL

- Controls run-off and gives you scoop-like control of snow and other materials
- Lets you gather material before depositing to the side
- Heavy-duty steel construction

Description	P/N	Retail
For Tapered Blades	37-4038	\$59.00
For Straight Blades	37-4346	59.00
For UTV 72"	37-4037	74.00

Skid Upgrade Kit
56-0849



ACCESSORIES FOR PLOW SYSTEMS

Plastic Wear Bar

- Ultra high molecular weight plastic (UHMW)
- Reversible, just flip it when worn
- Saves wear on plow blade
- Excellent for use on concrete/brick
- 3/4" thick

Description	P/N	Retail
48"	56-0854	\$69.00
54"	56-0855	75.00
60"	56-0856	79.00

Heavy-Duty Skid Upgrade Kit for Threaded Skids

- Upgrade your threaded plow skids to these heavy-duty quick release skids
 - Heavy-duty 1/4" gauge steel with zinc finish
 - Quick release pins make adjustments easy
- 56-0849 \$37.00**

Skid Replacement Kits

Description	P/N	Retail
Premium (For pin-style skids)	56-0858¹	\$28.00
Standard (For threaded-style skids)	56-0839	18.62

¹ Replacement skids for quick-release skid system

Description	P/N	Retail
Wear Bar Steel 48"	56-0836	\$34.55
Wear Bar Steel 54"	56-0837	39.88
Wear Bar Steel 60"	56-0838	50.77
Winch Termination Kit	56-0859	15.03
Replacement Snatch Block	37-4006	13.54



WARN® PLOW LIFT ROPE

- 8 ft. section of durable, super-strong synthetic rope
- Temporarily replace wire rope for plow season; saves wear and tear
- Stands up to repeated, sharp angle pulls used to lift heavy plow blades

56-0851 \$34.00

WARN® ROLLER FAIRLEAD FOR PLOW LIFTING

- Designed for use with winches that raise and lower the ATV plow blade
- Larger diameter lower roller reduces wear on ropes

Description	P/N	Retail
Standard	37-4033	\$49.00
RT/XT40	37-4341	59.00



WARN® ProVantage™ PLOW LIFT EXTENDER BRACKET

- Additional bracket for use with the new ProVantage™ plow lift
- Can be used for applications to move lift away from ATV body during use, if clearance is an issue

37-4313 \$36.00



WARN® SLACK CONTROL



- Extends life of plow/bucket system and winch rope
- Eliminate winch over run when lowering plow/bucket
- Corrects cable tangles
- ATV only

Description	P/N	Retail
Plow Only	37-4412	\$79.00
Bucket Only	37-4413	79.00



WARN® BUCKET/PLOW LIMIT CONTROL



- Extends bucket/plow system life
- Protects vehicle from impact and stops over raised conditions
- Easy retro fit allows fine tuning of bucket/plow system for a variety of stop positions
- ATV only

37-4414 \$69.00



WARN® SLACK & LIMIT CONTROL KIT



37-4415 \$129.00

WARN® POWER PIVOT

- Rotate your plow blade up to 25° at the push of a button - even under load - with this powerful electric pivot
- For use with WARN® Plow Base/Tube Assembly and QuadBoss System
- Will not work on UTVs

Description	P/N	Retail
For WARN® ProVantage™ ATV Plow Systems	37-4268	\$479.00
For Previous WARN® Plow Systems	37-4169	479.00



WARN® PLOW BLADE PULLEY SYSTEM



- Extends life of plow system and winch rope
- Confidently operate system without worry of plow damage

37-4416 \$45.00



- SPORT BODY
- BILLET ALUMINUM
- UTILITY BODY
- SEATS & GRAPHICS
- CONTROL
- FUEL & AIR
- ELECTRICAL
- TIRES
- TIRE/WHEEL KITS
- WHEELS
- BRAKE
- BELTS, CHAINS & SPROCKETS
- DRIVE
- SUSPENSION
- BEARINGS
- EXHAUST
- HARD & SOFT LUGGAGE
- HUNTING
- AG & FARMING
- PLOW**
- WINCH
- UTV
- ENGINE
- GENERAL ACCESSORIES
- RAMPS & TIEDOWNS
- CHEMICAL
- TOOLS & SUPPLIES
- DISPLAY & PROMO
- CROSS REFERENCE

- SPORT BODY
- BILLET ALUMINUM
- UTILITY BODY
- SEATS & GRAPHICS
- CONTROL
- FUEL & AIR
- ELECTRICAL
- TIRES
- TIRE/WHEEL KITS
- WHEELS
- BRAKE
- BELTS, CHAINS & SPROCKETS
- DRIVE
- SUSPENSION
- BEARINGS
- EXHAUST
- HARD & SOFT LUGGAGE
- HUNTING
- AG & FARMING
- PLOW**
- WINCH
- UTV
- ENGINE
- GENERAL ACCESSORIES
- RAMPS & TIEDOWNS
- CHEMICAL
- TOOLS & SUPPLIES
- DISPLAY & PROMO
- CROSS REFERENCE



ITP TUNDRA CROSS

- Nearly 100 carbide tipped steel case studs are strategically placed for maximum performance on ice and snow
- Based on ITP's highly successful TerraCross R/T XD design
- Fully siped (thinly cut) lugs result in more traction-grabbing edges and maximum traction in loose, slippery conditions
- 6-ply bias construction is light in weight and offers excellent flotation to keep the tire "on top" of the snow
- Proven rim guard keeps snow and ice out of the bead area and protects the wheel lip
- For such a unique, advanced tire, the TundraCross is still reasonably priced

Size	Ply	P/N	Retail	Size	Ply	P/N	Retail
Front				Rear			
25x9-12	6	37-3382	\$168.95	25x10-12	6	37-3383	\$173.95

Tundra Cross/Delta Wheel Kits ON PAGE	415
---------------------------------------	-----



QUADBOSS V-BAR TIRE CHAIN

- V-bars are much deeper, they will not fall between the lugs on ATV tires
- V-bars provide "Super" traction because of the sharp points on the V-Bar
- Applications are for rear tires unless noted
- Quadboss Tire chains are packaged in a plastic storage box
- Sold in pairs

Applications ON PAGE	401
----------------------	-----

Chain Size	Description	QuadBoss	Retail
Small	8 V-bars per row, 14.5" W x 52" L	56-0820	\$45.99
Medium	9 V-bars per row, 14.5" W x 54" L	56-0821	48.99
Large	10 V-bars per row, 17" W x 56" L	56-0822	58.99
Extra Large	11 V-bars per row- will work on the ITP Big Wheel Kits 16.6" x 66"	56-0823	68.99